

P/N: 19250-100

Copyright

© 2019, FLIR Systems, Inc.

All rights reserved worldwide. Names and marks appearing herein are either registered trademarks or trademarks of FLIR Systems and/or its subsidiaries. All other trademarks, trade names or company names referenced herein are used for identification only and are the property of their respective owners.

Document identity

Publ. No.: 19250-100

Commit: 34464

Language: en-US

Modified: 2016-03-18

Formatted: 2019-01-28

Website

<http://www.flir.com>

Customer support

<http://support.flir.com>

Disclaimer

Specifications subject to change without further notice. Camera models and accessories subject to regional market considerations. License procedures may apply. Products described herein may be subject to US Export Regulations. Please refer to exportquestions@flir.com with any questions.



General description	
This device is a viewport which consist of a crystal "glass" window, mounted in an aluminum frame. The glass is specially formulated to allow transmission of infrared light to allow use of infrared thermal sensing equipment without opening the enclosure. This device is intended for installation in doors or walls of electrical enclosures without compromising the integrity of the enclosure.	
Power system	
Voltage	Any range
Environmental data	
Environment	Indoor/outdoor type 4/12
Operating temperature range	Maximum: 260°C (500°F)
Storage temperature range	Optics, maximum: 1357°C (2474°F)
Physical data	
Size (L x W x H)	25.5 x 73 x 86 mm (1.0 x 2.87 x 3.36 in.)
Viewing aperture diameter	45 mm (1.77 in.)
Material	Optics: CaF2 (Calcium Fluoride Crystal) Body: Anodized aluminum Hardware: steel
Comments to physical data	Required hole diameter, nominal: 60.3 mm (2.375 in.) Greenlee Punch: 76BB Maximum pullout strength: 658 kg (1450 lb.)
Lens	
Waveband	Broadband IR: short-, mid-, and longwave
Visible light spectrum	Yes
Certifications	
Certification	UL, IP67, NEMA Type 4/12, CSA
Shipping information	
Packaging, type	Cardboard box
List of contents	<ul style="list-style-type: none"> IR window Case Mounting instruction Additional safety screw
Packaging, weight	0.24 kg (0.53 lb.)



IR Window 2 in

P/N: 19250-100

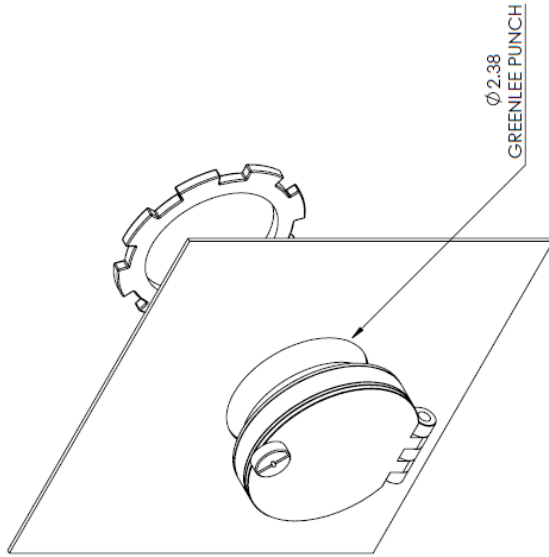
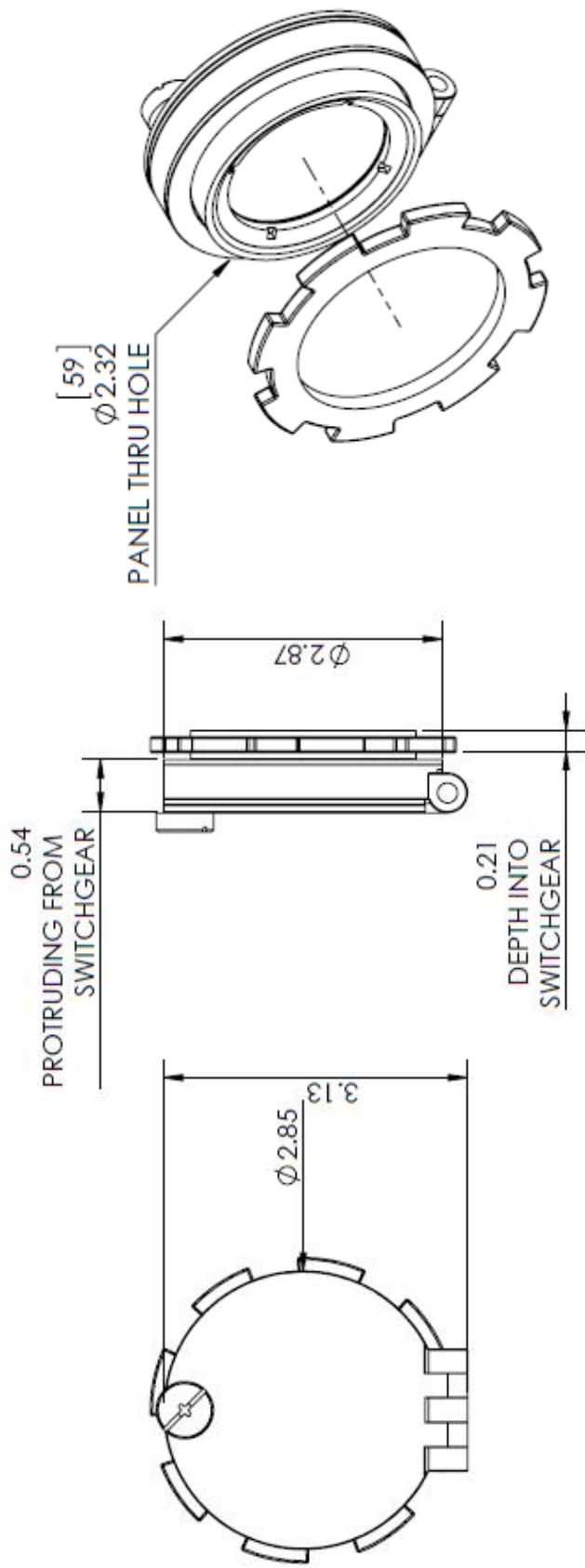
© 2019, FLIR Systems, Inc.

#19250-100; r. 34464; en-US

Shipping information	
Packaging, size	120 × 115 × 40 mm (4.7 × 4.5 × 1.6 in.)
EAN-13	4743254000728
UPC-12	845188002817
Country of origin	Estonia

Supplies & accessories:

© 2015, FLIR Systems, Inc. All rights reserved worldwide. No part of this drawing may be reproduced, stored in a retrieval system, or transmitted in any form, or by any means, electronic, mechanical, photocopying, recording, or otherwise, without written permission from FLIR Systems, Inc. Specifications subject to change without further notice. Dimensional data is based on nominal values. Products may be subject to regional market considerations. License procedures may apply. Product may be subject to US Export Regulations. Please refer to exportquestions@flir.com with any questions. Diversion contrary to US law is prohibited.



Modified Date	Modified By
Tuesday, November 10, 2015	T&M Engineering
Description	
IRW-2C, IRW-2S	
Units	Scale
Inches (Millimeters)	Not to Scale