

## P/N: 23900-000

### Copyright

© 2018, FLIR Systems, Inc.

All rights reserved worldwide. Names and marks appearing herein are either registered trademarks or trademarks of FLIR Systems and/or its subsidiaries. All other trademarks, trade names or company names referenced herein are used for identification only and are the property of their respective owners.

### Document identity

Publ. No.: 23900-000

Release:

Commit: 44928

Language: en-US

Modified: 2017-09-13

Formatted: 2018-05-23

### Website

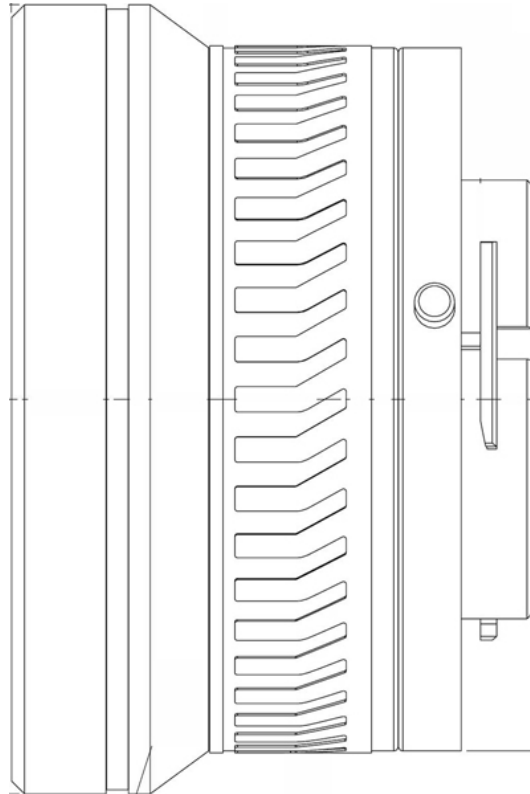
<http://www.flir.com>

### Customer support

<http://support.flir.com>

### Disclaimer

Specifications subject to change without further notice. Camera models and accessories subject to regional market considerations. License procedures may apply. Products described herein may be subject to US Export Regulations. Please refer to [exportquestions@flir.com](mailto:exportquestions@flir.com) with any questions.



Specifications	
Spectral band	3 - 5 microns
Focal length	100 mm
f/number	4
Average Transmission	> 90%
Distortion	<1.5%
Focus range without vignetting	5 m to Infinity
Operating temperature	-46 to +71°C
Storage temperature	-55 to +105°C
Weight	0.55 kg (1.21 lbs.)
Deg. Horizontal field of view (A83XXsc, SC834X)	10.2
Deg. Vertical field of view (A83XXsc, SC834X)	5.8
Deg. Diagonal field of view (A83XXsc, SC834X)	11.7
Deg. Horizontal field of view (SC83XX)	10.7
Deg. Vertical field of view (SC83XX)	6.3
Deg. Diagonal field of view (SC83XX)	12.4
Deg. Horizontal field of view (A82XXsc, SC82XX)	10.5
Deg. Vertical field of view (A82XXsc, SC82XX)	10.5
Deg. Diagonal field of view (A82XXsc, SC82XX)	14.9
Interface	Three-Tab Bayonet



## Lens 3-5 um 100 mm f/4 Three Tab Bayonet

---

**P/N: 23900-000**

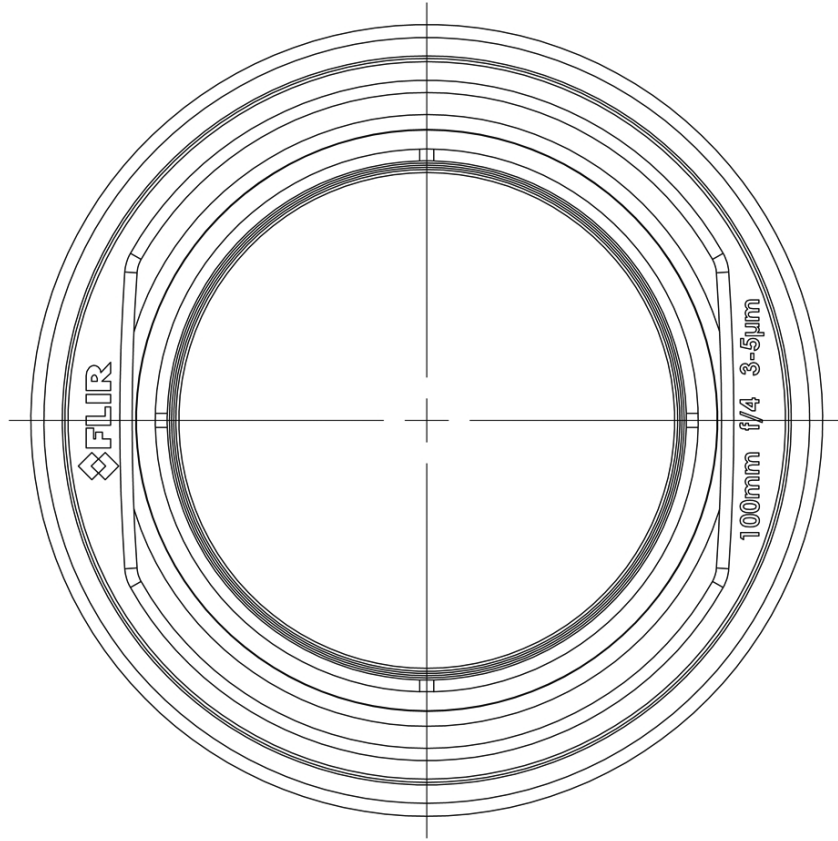
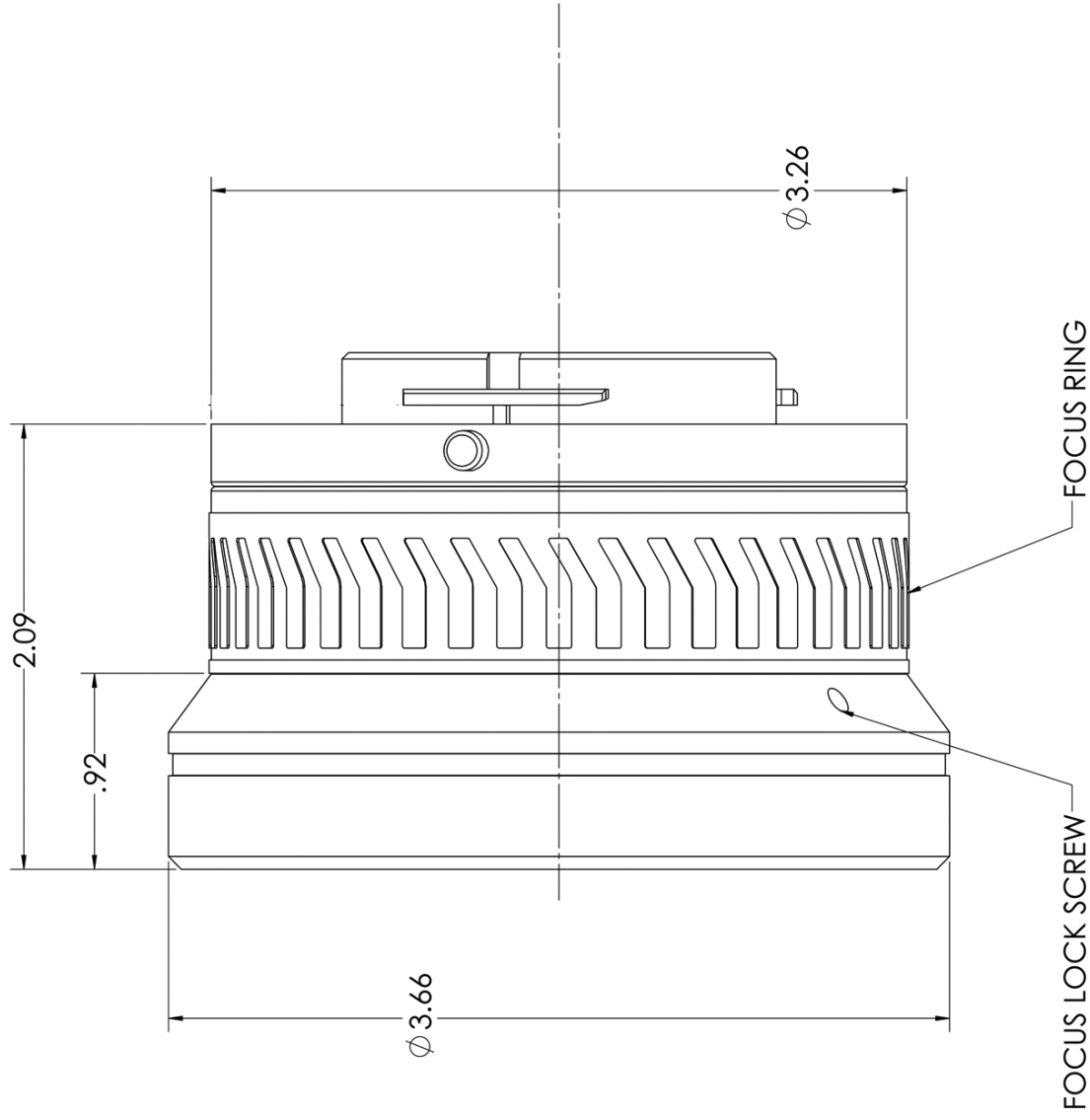
© 2018, FLIR Systems, Inc.

#23900-000; r. /44928; en-US

**Compatible with the following products:**

- 29244-203; FLIR A8303sc
- 29406-201; FLIR A8201sc

# FLIR P/N 23900-000 100mm f/4 3-5 microns HD Three Tab Bayonet



## NOTES:

1. WEIGHT: 550 g [1.21 LB] (APPROX. FROM MODEL).
2. LENS COVERS PROVIDED.