

## P/N: T129785ACC

### Copyright

© 2017, FLIR Systems, Inc.

All rights reserved worldwide. Names and marks appearing herein are either registered trademarks or trademarks of FLIR Systems and/or its subsidiaries. All other trademarks, trade names or company names referenced herein are used for identification only and are the property of their respective owners.

### Document identity

Publ. No.: T129785ACC

Release:

Commit: 42932

Language: en-US

Modified: 2017-05-30

Formatted: 2017-05-31

### Website

<http://www.flir.com>

### Customer support

<http://support.flir.com>

### Disclaimer

Specifications subject to change without further notice. Camera models and accessories subject to regional market considerations. License procedures may apply. Products described herein may be subject to US Export Regulations. Please refer to [exportquestions@flir.com](mailto:exportquestions@flir.com) with any questions.



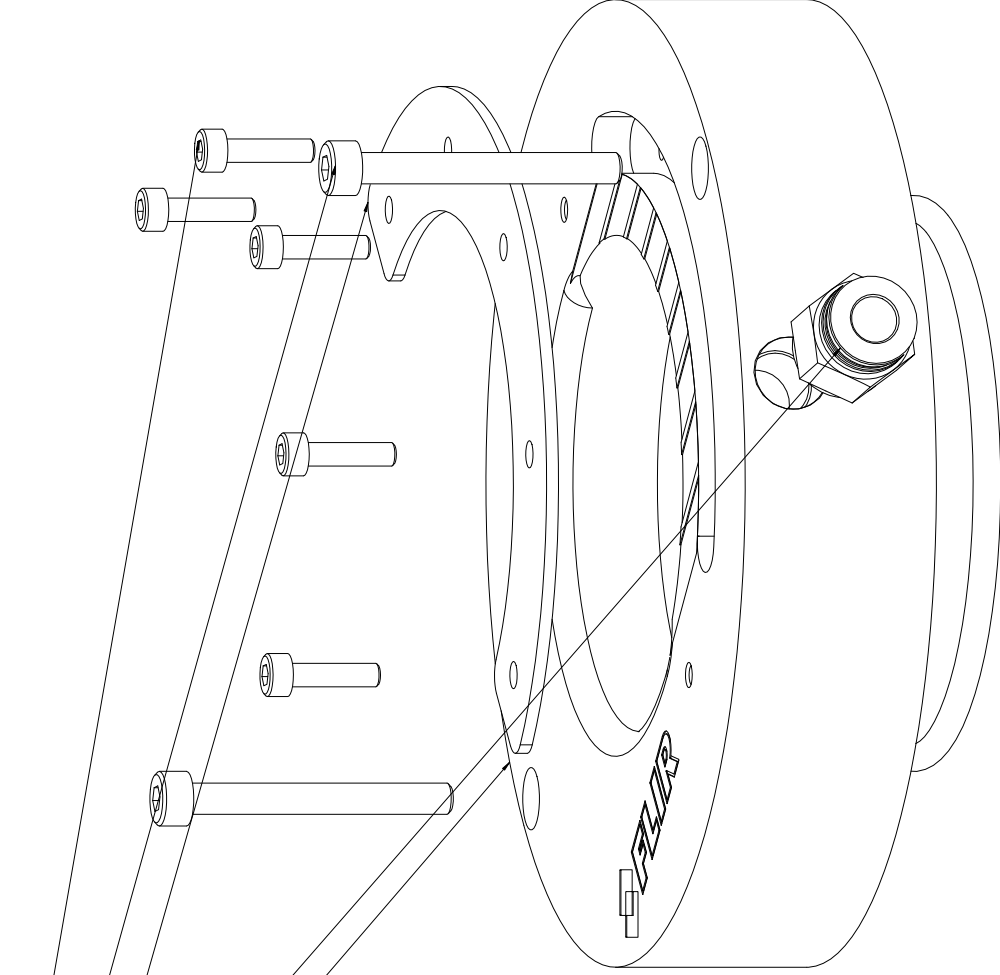
General description	
Dust control ring to be mounted on the front window of FLIR A310f cameras. The dust control ring is then connected to pressurized air and will keep the front window dust-free.	
Physical data	
Size	<ul style="list-style-type: none"> <li>Thickness: 25 mm (1 in.)</li> <li>Diameter: 125 mm (5 in.)</li> </ul>
Color	Black anodized
Shipping information	
Packaging, type	Cardboard box
List of contents	<ul style="list-style-type: none"> <li>Dust control ring</li> <li>Screws</li> <li>Instruction</li> </ul>
Packaging, weight	0.521 kg (1.15 lb.)
Packaging, size	145 × 140 × 55 mm (5.7 × 5.5 × 2.2 in.)
EAN-13	7332558012611
UPC-12	845188013769
Country of origin	Sweden

### Compatible with the following products:

- 61201-1003; FLIR A300f 25°
- 61201-1004; FLIR A300f 45°
- 61201-1102; FLIR A310f 15°
- 61201-1103; FLIR A310f 25°
- 61201-1104; FLIR A310f 45°
- 61201-1101; FLIR A310f 6°
- 61201-1105; FLIR A310f 90°
- 61201-1203; FLIR A315f 25°
- 61201-1204; FLIR A315f 45°
- 61201-1205; FLIR A315f 90°

ITEM NO.	PART NUMBER	QTY.
1	101.V2 Main Dust Ring	1
2	102.V2 Air Shield	1
3	186096 Festo, QS-G1_8-6	1
4	201 O-Ring, Buna-N, Dash231 (MCC_9452K159)	1
5	202 SHCS, SS (M4x0.7 x 35(g))	2
6	203 SHCS, SS (M3x0.5 x 12(g))	5

- 6
- 5
- 2
- 3
- 1



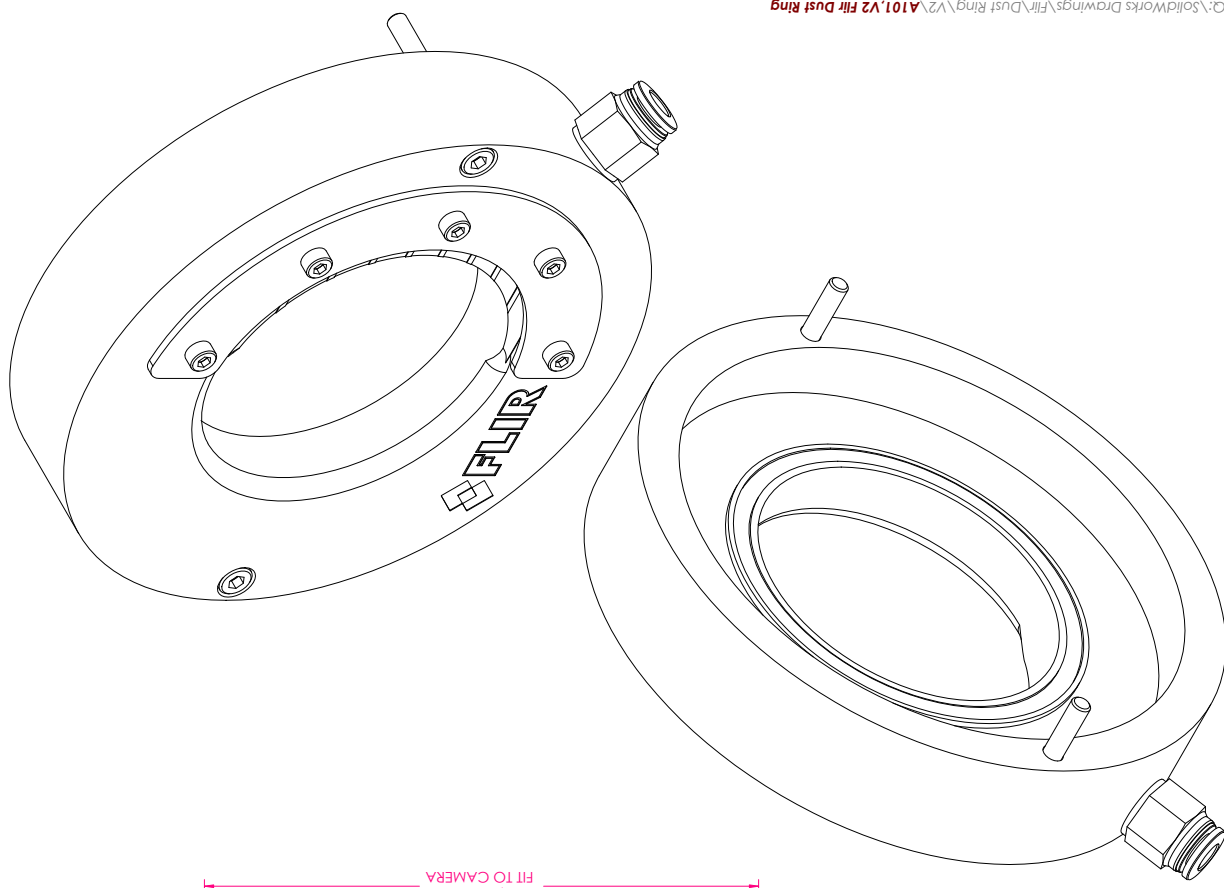
REVISIONS

ZONE	REV.	DESCRIPTION	DATE	APPROVED

C:\SolidWorks Drawings\FIIR\Dust Ring\V2\A101.V2 Filr Dust Ring

<b>SPECIAL NOTES:</b> NO TOOLS REQUIRED NO TOOLS REQUIRED CORRECT BUNA O-RING 231 AIR SHIELD 30723 30741 & 401 FLIR PART NO. 1009	<b>CUSTOMER:</b> FLIR	<b>FLIR</b>
<b>MATERIAL:</b> SEE COMPONENTS	<b>TITLE:</b> FLIR DUST RING DCR-A310F	
<b>QUANTITY:</b> (X) REQD	<b>DATE:</b> 2015-07-02	<b>DWG. NO.:</b> A101.V2
		<b>SCALE:</b>





SPECIAL NOTES: MANUFACTURED IN ALUM ISO 9001 CERTIFIED FLIR IS AN ISO 9001 REGISTERED COMPANY PUBLISHED TO: 100%	CUSTOMER: FLIR
	TITLE: FLIR DUST RING DCR-A310F
MATERIAL: SEE COMPONENTS	DATE: 2015-07-02
QUANTITY: ( X ) REQ'D	DWG. NO.: A101_Y2
SCALE:	

