

P/N: T197189

Copyright

© 2017, FLIR Systems, Inc.

All rights reserved worldwide. Names and marks appearing herein are either registered trademarks or trademarks of FLIR Systems and/or its subsidiaries. All other trademarks, trade names or company names referenced herein are used for identification only and are the property of their respective owners.

Document identity

Publ. No.: T197189
 Release:
 Commit: 42932
 Language: en-US
 Modified: 2017-05-30
 Formatted: 2017-05-31

Website

<http://www.flir.com>

Customer support

<http://support.flir.com>

Disclaimer

Specifications subject to change without further notice. Camera models and accessories subject to regional market considerations. License procedures may apply. Products described herein may be subject to US Export Regulations. Please refer to exportquestions@flir.com with any questions.

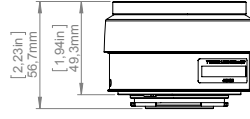
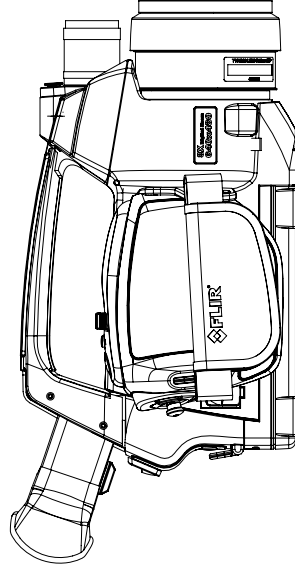
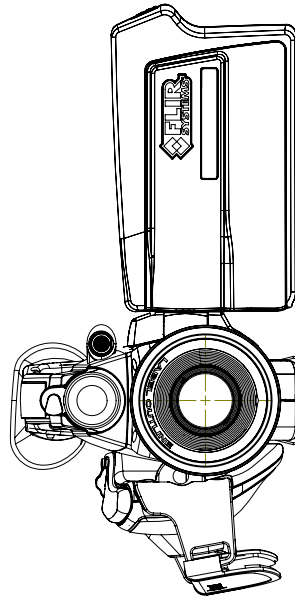
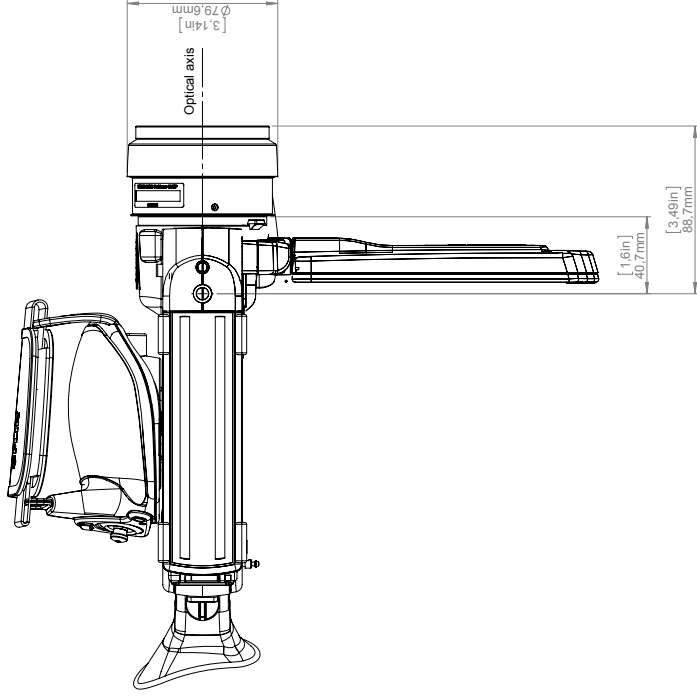
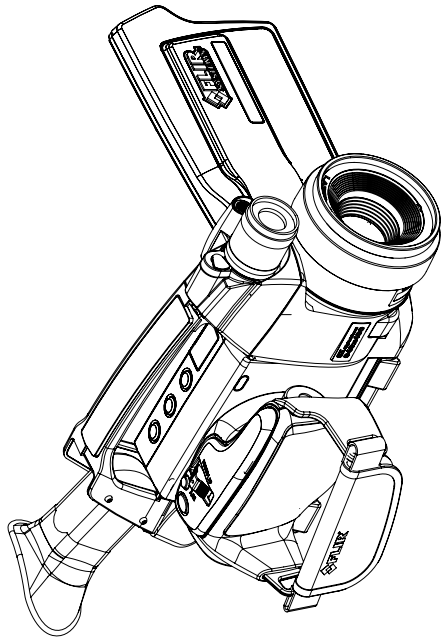


General description	
This wide angle lens has a field of view almost double that of the standard 24° lens. Perfect for wide or tall targets or when working in crowded spaces.	
Imaging and optical data	
Field of view (FOV)	45° × 34°
Minimum focus distance	0.2 m (0.7 ft.)
Focal length	19 mm (0.75 in.)
Spatial resolution (IFOV)	1.3 mrad
F-number	1.1
Shipping information	
Packaging, type	Cardboard box
List of contents	<ul style="list-style-type: none"> • Lens • Lens case
Packaging, weight	0.818 kg (1.80 lb.)
Packaging, size	174 × 133 × 133 mm (6.9 × 5.2 × 5.2 in.)
EAN-13	7332558003749
UPC-12	845188003968
Country of origin	Sweden

Compatible with the following products:

- N/A

Camera with Lens IR f=38 mm (24°)
 Camera with Lens IR f=19 mm (45°)



For additional dimensions see page 1

Modified 2012-04-19	Check CAHA	Drawn by R&D Thermography	Size A3	Scale 1:2	Sheet 2(7)
Denomination Basic dimensions FLIR P6xx			Drawing No. T125460	Size B	

