

## P/N: T197387

### Copyright

© 2017, FLIR Systems, Inc.

All rights reserved worldwide. Names and marks appearing herein are either registered trademarks or trademarks of FLIR Systems and/or its subsidiaries. All other trademarks, trade names or company names referenced herein are used for identification only and are the property of their respective owners.

### Document identity

Publ. No.: T197387  
 Release:  
 Commit: 42932  
 Language: en-US  
 Modified: 2017-05-30  
 Formatted: 2017-05-31

### Website

<http://www.flir.com>

### Customer support

<http://support.flir.com>

### Disclaimer

Specifications subject to change without further notice. Camera models and accessories subject to regional market considerations. License procedures may apply. Products described herein may be subject to US Export Regulations. Please refer to [exportquestions@flir.com](mailto:exportquestions@flir.com) with any questions.

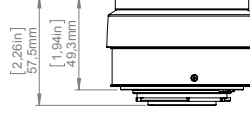
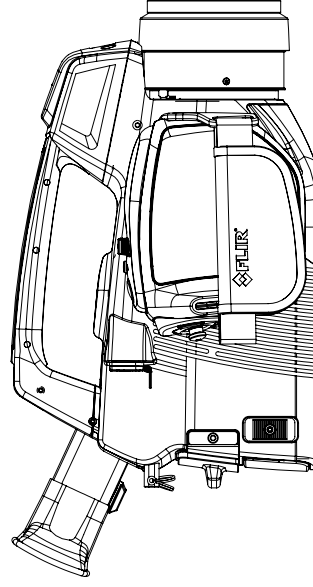
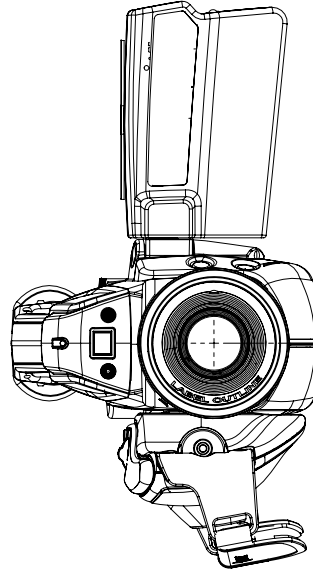
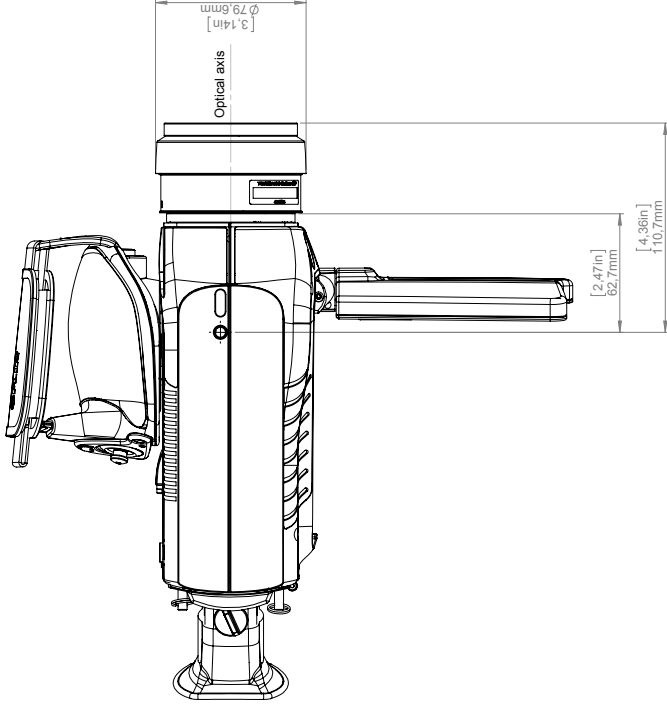


<b>General description</b>	
The standard 24° lens is suitable for the majority of applications.	
<b>Licensing and classification</b>	
License information	Interchangeable lens version of the FLIR GF3XX series requires US Department of State License and will be subject to limitations on resale, except inside US. Allow a minimum of 90 days after application submittal for approval.
<b>Imaging and optical data</b>	
Field of view (FOV)	24° × 18°
Minimum focus distance	0.3 m (1.0 ft.)
Focal length	23 mm (0.89 in.)
Lens identification	Automatic
F-number	1.5
Lens note	For spectral range 3.2–3.4 and 3.8–4.05 μm
<b>Physical data</b>	
Weight	0.30 kg (0.67 lb.)
Size (L × D)	57 × 80 mm (2.24 × 3.15 in.)
<b>Shipping information</b>	
List of contents	<ul style="list-style-type: none"> <li>• Lens</li> <li>• Lens case</li> </ul>
EAN-13	7332558009017
UPC-12	845188009564
Country of origin	Sweden

### Compatible with the following products:

- 44401-0201; FLIR GF300 14.5°
- 44401-0202; FLIR GF300 24°
- 44601-0101; FLIR GF309 14.5°
- 44601-0102; FLIR GF309 24°
- 44401-0101; FLIR GF320 14.5°
- 44401-0102; FLIR GF320 24°

**Camera with Lens IR f=23 mm (24°)  
Camera with Lens IR f=38 mm (14,5°)**



For additional dimensions see page 1

Modified	Drawn by	Size	
2013-02-18	R&D Thermography	A3	
Drawn by	Check	Scale	
2013-02-18		1:2	Z(5)
Drawn No.	Drawn No.	Size	

**Basic dimension FLIR GF3xx**

Modified	Drawn by	Size	
2013-02-18	R&D Thermography	A3	
Drawn by	Check	Scale	
2013-02-18		1:2	Z(5)
Drawn No.	Drawn No.	Size	

**Basic dimension FLIR GF3xx**

Modified	Drawn by	Size	
2013-02-18	R&D Thermography	A3	
Drawn by	Check	Scale	
2013-02-18		1:2	Z(5)
Drawn No.	Drawn No.	Size	