

P/N: T197412

Copyright

© 2017, FLIR Systems, Inc.

All rights reserved worldwide. Names and marks appearing herein are either registered trademarks or trademarks of FLIR Systems and/or its subsidiaries. All other trademarks, trade names or company names referenced herein are used for identification only and are the property of their respective owners.

Document identity

Publ. No.: T197412

Release:

Commit: 42932

Language: en-US

Modified: 2017-05-30

Formatted: 2017-09-15

Website

<http://www.flir.com>

Customer support

<http://support.flir.com>

Disclaimer

Specifications subject to change without further notice. Camera models and accessories subject to regional market considerations. License procedures may apply. Products described herein may be subject to US Export Regulations. Please refer to exportquestions@flir.com with any questions.

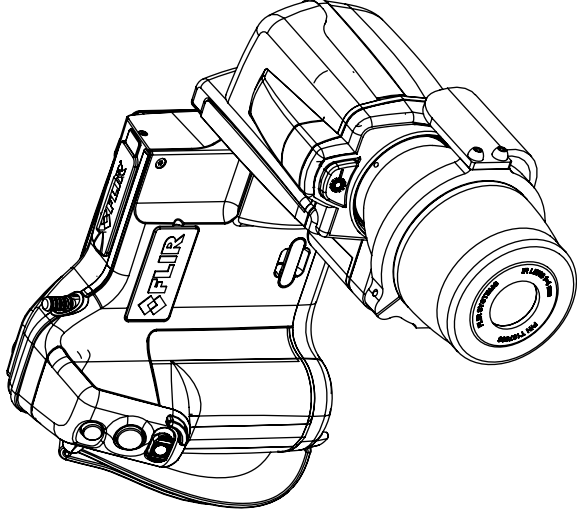
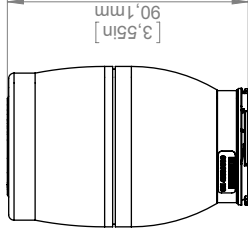
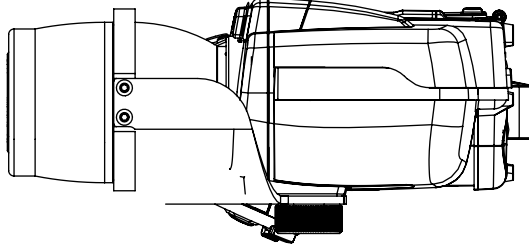
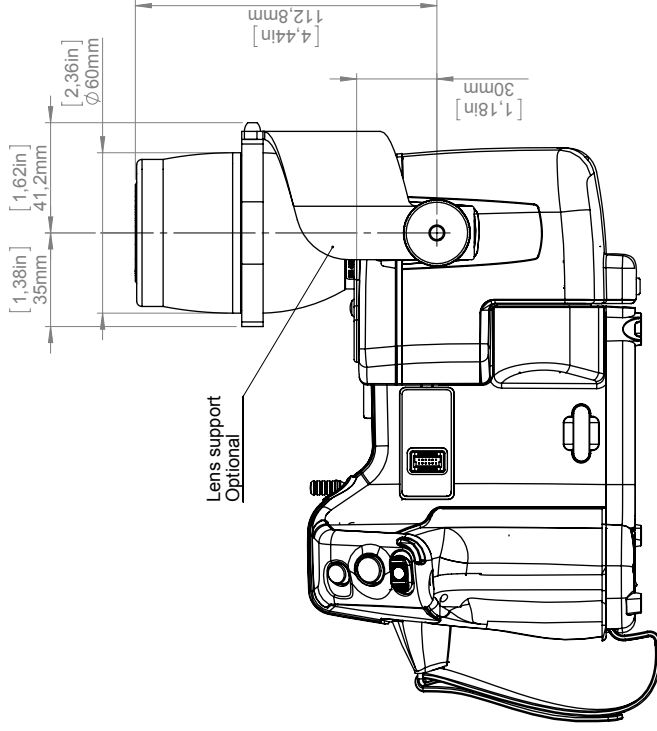
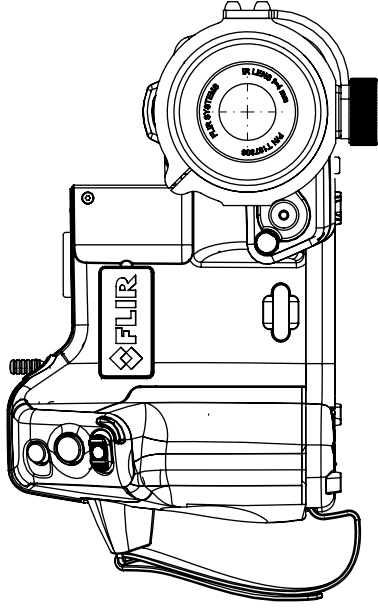
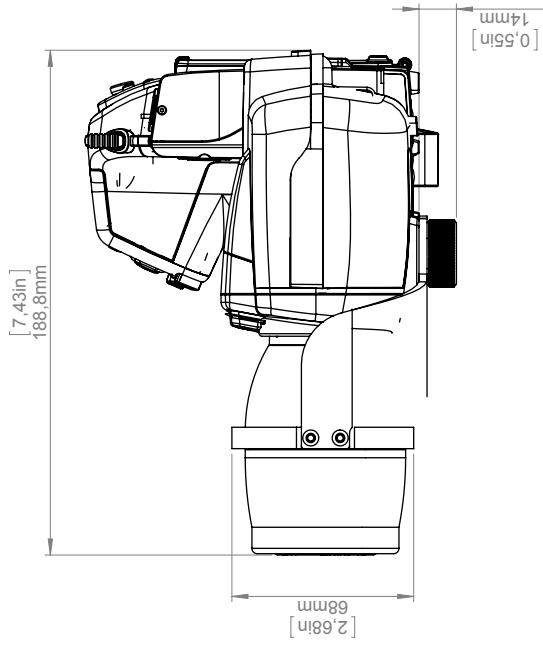


General description	
A wide angle lens is used when working in confined areas or when a large object area needs to be covered. This lens is also designed for to look in to electrical cabinets down to 1/2" windows	
Imaging and optical data	
Field of view (FOV)	90° × 73°
Minimum focus distance	40 mm (1.57 in.)
Focal length	4 mm (0.157 in.)
Spatial resolution (IFOV)	Depends on the IR resolution of the camera: 12.5 mrad for 160 × 120 pixels 10.0 mrad for 200 × 150 pixels 8.33 mrad for 240 × 180 pixels 6.25 mrad for 320 × 240 pixels
F-number	1.3
Number of lenses	3 (3 asph)
MTF @ 70% of FOV	Normal requirements (52%)
Distortion	5%
Physical data	
Weight	Lens: 0.262 kg (0.578 lb.) Support: 0.053 kg (0.117 lb.)
Size (L × D)	90 × 60 mm (3.54 × 2.36 in.), excluding support
Shipping information	
Packaging, type	Cardboard box
List of contents	<ul style="list-style-type: none"> • Lens • Lens case • Mounting support
Packaging, weight	1.056 kg (2.3 lb.)
Packaging, size	385 × 308 × 165 mm (15.2 × 12.1 × 6.5 in.)
EAN-13	7332558004517
UPC-12	845188004484
Country of origin	Sweden

Compatible with the following products:

- N/A

Camera with Lens IR f=4 mm (90°) incl support

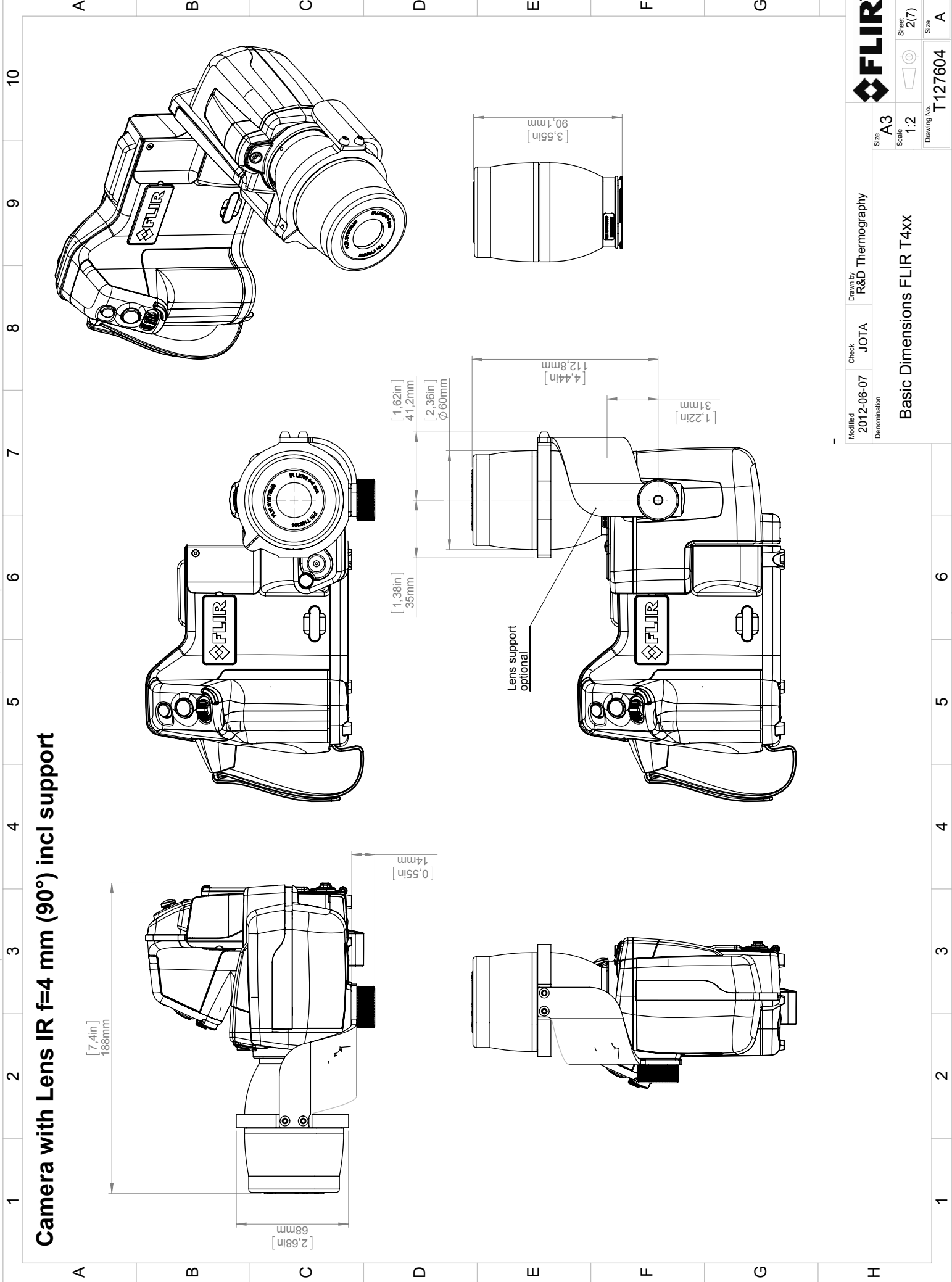


© 2012, FLIR Systems, Inc. All rights reserved worldwide. No part of this drawing may be reproduced, stored in a retrieval system, or transmitted in any form, or by any means, electronic, mechanical, photocopying, recording, or otherwise, without written permission from FLIR Systems, Inc. Specifications subject to change without further notice. Dimensional data is based on nominal values. Products may be subject to regional market considerations. License procedures may apply. Product may be subject to US Export Regulations. Please refer to exportquestions@flir.com with any questions. Diversion contrary to US law is prohibited.

For additional dimensions see page 1

Modified 2012-04-18	Check CAHA	Drawn by R&D Thermography	Size A3	Sheet 2(7)
Denomination Basic dimensions FLIR Txxx/Bxxx			Scale 1:2	Drawing No. T197905
			Size B	

Camera with Lens IR f=4 mm (90°) incl support



© 2012, FLIR Systems, Inc. All rights reserved worldwide. No part of this drawing may be reproduced, stored in a retrieval system, or transmitted in any form, or by any means, electronic, mechanical, photocopying, recording, or otherwise, without written permission from FLIR Systems, Inc. Specifications subject to change without further notice. Dimensional data is based on nominal values. Products may be subject to regional market considerations. License procedures may apply. Product may be subject to US Export Regulations. Please refer to exportquestions@flir.com with any questions. Diversion contrary to US law is prohibited.

FLIR		Size	A3
Modified	2012-06-07	Check	JOTA
Drawn by		R&D Thermography	
Denomination		Basic Dimensions FLIR T4xx	
Scale	1:2	Sheet	2(7)
Drawing No.	T127604	Size	A