

P/N: T197914

Copyright

© 2017, FLIR Systems, Inc.

All rights reserved worldwide. Names and marks appearing herein are either registered trademarks or trademarks of FLIR Systems and/or its subsidiaries. All other trademarks, trade names or company names referenced herein are used for identification only and are the property of their respective owners.

Document identity

Publ. No.: T197914

Release:

Commit: 42932

Language: en-US

Modified: 2017-05-30

Formatted: 2017-05-31

Website

<http://www.flir.com>

Customer support

<http://support.flir.com>

Disclaimer

Specifications subject to change without further notice. Camera models and accessories subject to regional market considerations. License procedures may apply. Products described herein may be subject to US Export Regulations. Please refer to exportquestions@flir.com with any questions.



General description	
The 15° lens is a popular lens accessory and provides 1.7x magnification compared to the standard lens. Ideal for small or distant targets such as overhead power lines.	
Imaging and optical data	
Field of view (FOV)	15° × 11° (19° diagonally)
Minimum focus distance	500 mm (19.69 in.)
Focal length	41.3 mm (1.63 in.)
Spatial resolution (IFOV)	0.41 mrad
Lens identification	Automatic
F-number	1.0
Number of lenses	3 (3 asph)
MTF @ 70% of FOV	Normal requirements (52%)
Distortion	3%
Physical data	
Weight	0.190 kg (0.419 lb.)
Size (L × D)	47 × 67 mm (1.85 × 2.64 in.)
Front lens diameter	52 mm (2.05 in.)
Shipping information	
Packaging, type	Cardboard box
List of contents	<ul style="list-style-type: none"> • Lens • Lens case • Front lens cap • Rear lens cap
Packaging, weight	0.427 kg (0.95 lb.)
Packaging, size	174 × 133 × 133 mm (6.85 × 5.24 × 5.24 in.)
EAN-13	7332558004449
UPC-12	845188002671
Country of origin	Sweden

Compatible with the following products:

- 55903-1015; FLIR T600 15° (incl. Wi-Fi and Ext. cal.)
- 55903-0922; FLIR T600 15° (incl. Wi-Fi)
- 55903-1016; FLIR T600 25° (incl. Wi-Fi and Ext. cal.)
- 55903-1022; FLIR T600 25° (incl. Wi-Fi)

P/N: T197914

© 2017, FLIR Systems, Inc.

#T197914; r./42932; en-US

- 55903-1007; FLIR T600 25° and 15° w/case
- 55903-1008; FLIR T600 25° and 45° w/case
- 55903-1017; FLIR T600 45° (incl. Wi-Fi and Ext. cal.)
- 55903-1522; FLIR T600 45° (incl. Wi-Fi)
- 55903-2823; FLIR T600bx 25° (incl. Wi-Fi and Ext. cal.)
- 55903-2822; FLIR T600bx 25° (incl. Wi-Fi)
- 55903-2923; FLIR T600bx 45° (incl. Wi-Fi and Ext. cal.)
- 55903-2922; FLIR T600bx 45° (incl. Wi-Fi)
- 55903-8022; FLIR T610 15° (incl. Wi-Fi)
- 55903-3922; FLIR T610 25° (incl. Wi-Fi)
- 55903-4022; FLIR T610 45° (incl. Wi-Fi)
- 55903-5023; FLIR T620 15° (incl. Wi-Fi and Ext. cal.)
- 55903-5022; FLIR T620 15° (incl. Wi-Fi)
- 55903-5125; FLIR T620 25° (incl. Wi-Fi and Ext. cal.)
- 55903-5122; FLIR T620 25° (incl. Wi-Fi)
- 55903-5123; FLIR T620 25° and 15° (incl. Wi-Fi)
- 55903-5124; FLIR T620 25° and 45° (incl. Wi-Fi)
- 55903-5223; FLIR T620 45° (incl. Wi-Fi and Ext. cal.)
- 55903-5222; FLIR T620 45° (incl. Wi-Fi)
- 55903-5623; FLIR T620bx 15° (incl. Wi-Fi and Ext. cal.)
- 55903-5622; FLIR T620bx 15° (incl. Wi-Fi)
- 55903-5723; FLIR T620bx 25° (incl. Wi-Fi and Ext. cal.)
- 55903-5722; FLIR T620bx 25° (incl. Wi-Fi)
- 55903-5823; FLIR T620bx 45° (incl. Wi-Fi and Ext. cal.)
- 55903-5822; FLIR T620bx 45° (incl. Wi-Fi)
- 55904-6222; FLIR T630 15° (incl. Wi-Fi)
- 55904-6322; FLIR T630 25° (incl. Wi-Fi)
- 55904-6422; FLIR T630 45° (incl. Wi-Fi)
- 55904-8023; FLIR T630sc 15° (incl. Wi-Fi)
- 55904-8123; FLIR T630sc 25° (incl. Wi-Fi)
- 55904-8124; FLIR T630sc 25° and 45° w/case
- 55904-8223; FLIR T630sc 45° (incl. Wi-Fi)
- 55904-6823; FLIR T640 15° (incl. Wi-Fi and Ext. cal.)
- 55904-6822; FLIR T640 15° (incl. Wi-Fi)
- 55904-6925; FLIR T640 25° (incl. Wi-Fi and Ext. cal.)
- 55904-6922; FLIR T640 25° (incl. Wi-Fi)
- 55904-6923; FLIR T640 25° and 15° (incl. Wi-Fi)
- 55904-6924; FLIR T640 25° and 45° (incl. Wi-Fi)
- 55904-7023; FLIR T640 45° (incl. Wi-Fi and Ext. cal.)
- 55904-7022; FLIR T640 45° (incl. Wi-Fi)
- 55904-7423; FLIR T640bx 15° (incl. Wi-Fi and Ext. cal.)
- 55904-7422; FLIR T640bx 15° (incl. Wi-Fi)
- 55904-7523; FLIR T640bx 25° (incl. Wi-Fi and Ext. cal.)
- 55904-7522; FLIR T640bx 25° (incl. Wi-Fi)
- 55904-7623; FLIR T640bx 45° (incl. Wi-Fi and Ext. cal.)
- 55904-7622; FLIR T640bx 45° (incl. Wi-Fi)
- 55904-7723; FLIR T650sc 15° (incl. Wi-Fi)
- 55904-8704; FLIR T650sc 25°
- 55904-7823; FLIR T650sc 25° (incl. Wi-Fi)
- 55904-7824; FLIR T650sc 25° and 15° w/case
- 55904-7825; FLIR T650sc 25° and 45° w/case
- 55904-7923; FLIR T650sc 45° (incl. Wi-Fi)
- 55904-8423; FLIR T660 15° (incl. Wi-Fi and Ext. cal.)
- 55904-8422; FLIR T660 15° (incl. Wi-Fi)
- 55904-8523; FLIR T660 25° (incl. Wi-Fi and Ext. cal.)
- 55904-8522; FLIR T660 25° (incl. Wi-Fi)
- 55904-8524; FLIR T660 25° and 15° w/case
- 55904-8525; FLIR T660 25° and 45° w/case
- 55904-8623; FLIR T660 45° (incl. Wi-Fi and Ext. cal.)



IR lens, f=41.3 mm (15°) with case

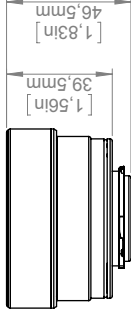
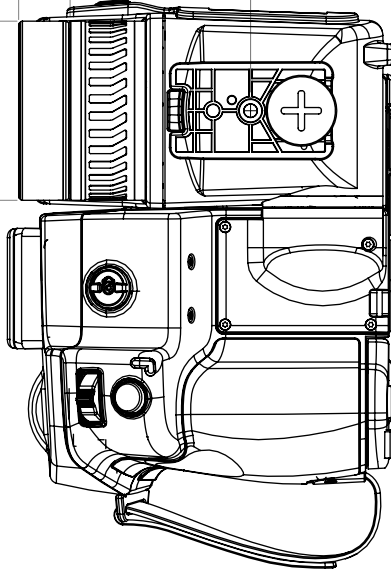
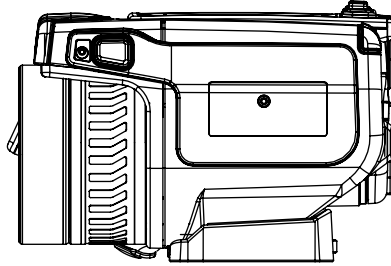
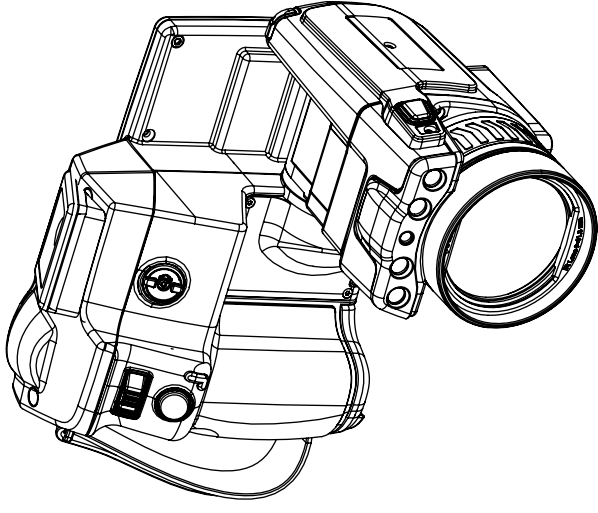
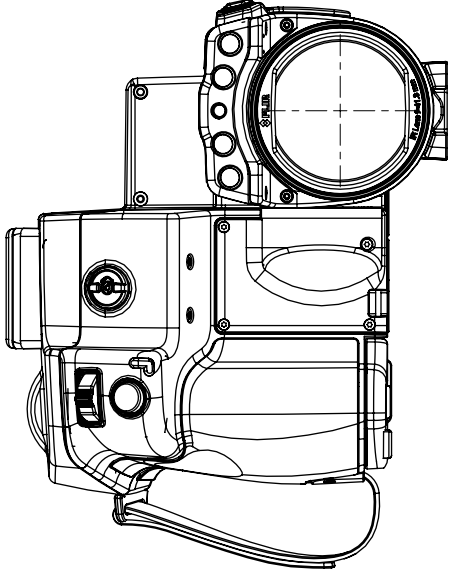
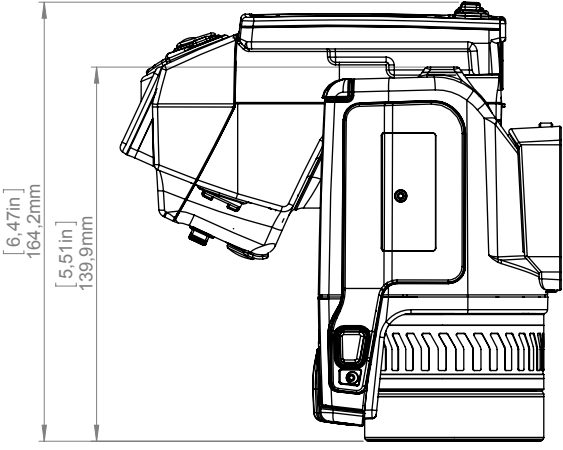
P/N: T197914

© 2017, FLIR Systems, Inc.

#T197914; r./42932; en-US

- 55904-8622; FLIR T660 45° (incl. Wi-Fi)
- 55001-0101; FLIR A615 15°
- 55001-0102; FLIR A615 25°
- 55001-0103; FLIR A615 45°
- 55001-0104; FLIR A615 7°
- 55001-0105; FLIR A615 80°
- 55001-0301; FLIR A655sc 15°
- 55001-0302; FLIR A655sc 25°
- 55001-0303; FLIR A655sc 45°
- 55001-0304; FLIR A655sc 7°
- 55001-0305; FLIR A655sc 80°

Camera with Lens IR f=41,3 mm (15°)



© 2012, FLIR Systems, Inc. All rights reserved worldwide. No part of this drawing may be reproduced, stored in a retrieval system, or transmitted in any form, or by any means, electronic, mechanical, photocopying, recording, or otherwise, without written permission from FLIR Systems, Inc. Specifications subject to change without further notice. Dimensions data is based on nominal values. Products may be subject to regional market considerations. License procedures may apply. Product may be subject to US Export Regulations. Please refer to exportquestions@flir.com with any questions. Diversion contrary to US law is prohibited.

For additional dimensions see page 1

Modified 2012-04-19
 Check CAHA
 Drawn by R&D Thermography
 Denomination



Size A3
 Scale 1:2
 Sheet 5(9)
 Drawing No. T127424
 Size A

Basic dimensions FLIR T6xx

1 2 3 4 5 6

A

B

C

D

E

F

G

H

1

2

3

4

5

6

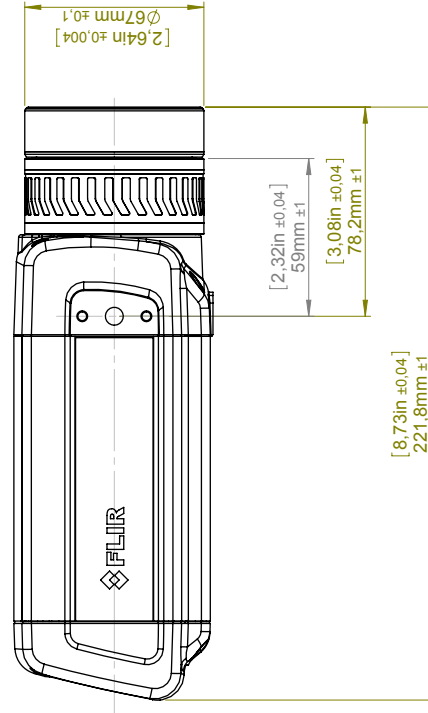
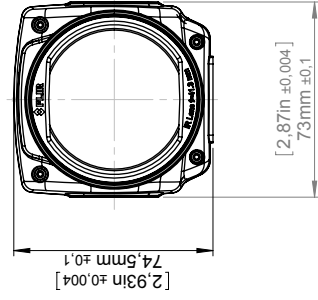
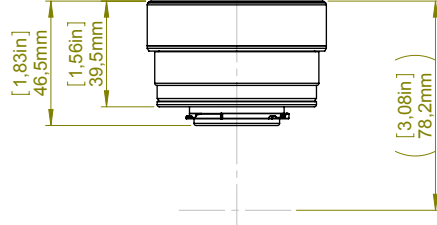
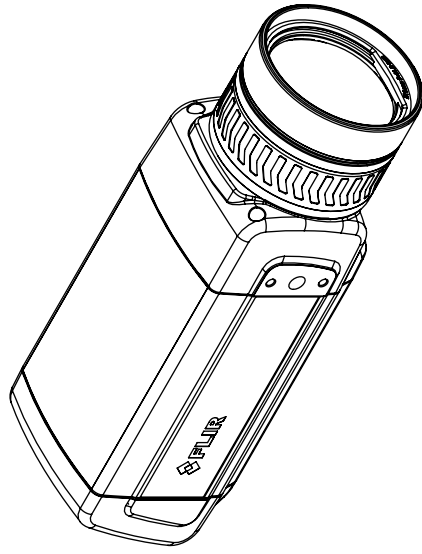
7

8

9

10

Camera with Lens IR f=41,3 mm (15°)



© 2012, FLIR Systems, Inc. All rights reserved worldwide. No part of this drawing may be reproduced, stored in a retrieval system, or transmitted in any form, or by any means, electronic, mechanical, photocopying, recording, or otherwise, without written permission from FLIR Systems, Inc. Specifications subject to change without further notice. Dimensional data is based on nominal values. Products may be subject to regional market considerations. License procedures may apply. Product may be subject to US Export Regulations. Please refer to exportquestions@flir.com with any questions. Diversion contrary to US law is prohibited.

For additional dimensions see page 1

Modified	Check	Drawn by	FLIR
2012-04-18	CAHA	R&D Thermography	
Denomination			
Basic dimensions FLIR A/SC 6xx			
Size	A3	Scale	1:2
Sheet	5(9)		Size
Drawing No.	T126925		Size
			A