

P/N: T199163

Copyright

© 2017, FLIR Systems, Inc.

All rights reserved worldwide. Names and marks appearing herein are either registered trademarks or trademarks of FLIR Systems and/or its subsidiaries. All other trademarks, trade names or company names referenced herein are used for identification only and are the property of their respective owners.

Document identity

Publ. No.: T199163

Release:

Commit: 42932

Language: en-US

Modified: 2017-05-30

Formatted: 2017-05-31

Website

<http://www.flir.com>

Customer support

<http://support.flir.com>

Disclaimer

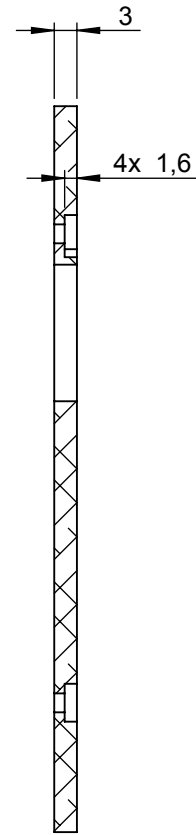
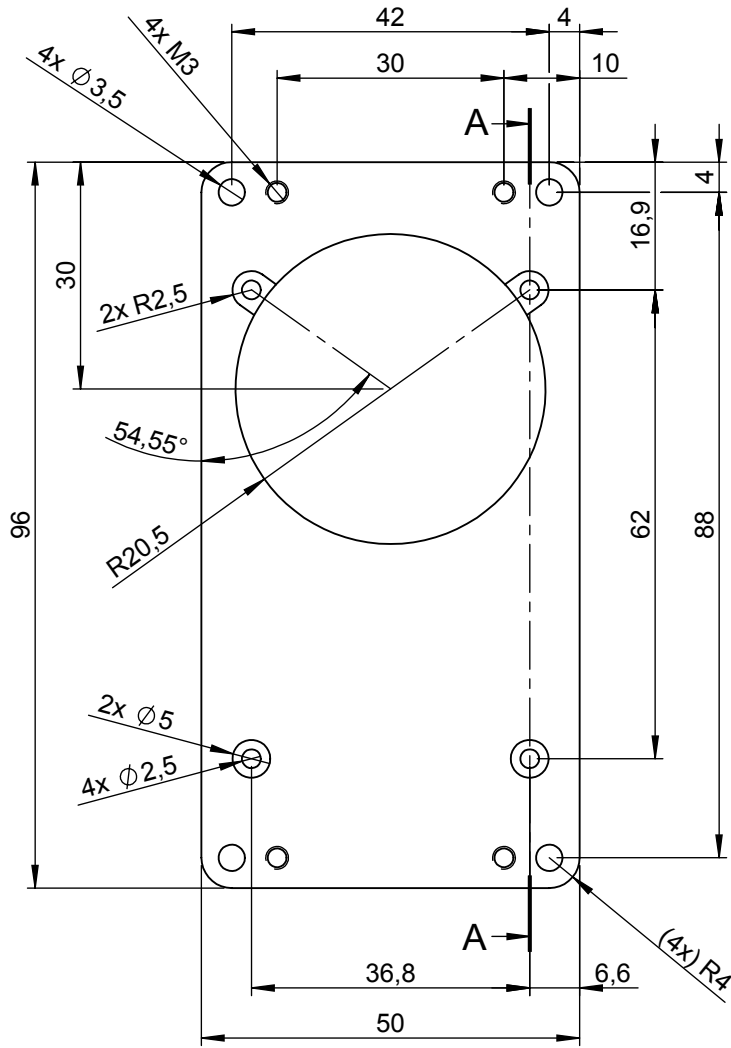
Specifications subject to change without further notice. Camera models and accessories subject to regional market considerations. License procedures may apply. Products described herein may be subject to US Export Regulations. Please refer to exportquestions@flir.com with any questions.



General description	
Front mounting plate kit for mounting a FLIR AX8 camera. Includes cooling bracket.	
Physical data	
Shipping information	
Packaging, type	Cardboard box
List of contents	<ul style="list-style-type: none"> • Front mounting plate • Cooling bracket • Screws
Packaging, weight	0.269 kg (0.59 lb.)
Packaging, size	183 × 136 × 63 mm (7.2 × 5.4 × 2.5 in.)
EAN-13	4743254002135
UPC-12	845188011659
Country of origin	Sweden
	x

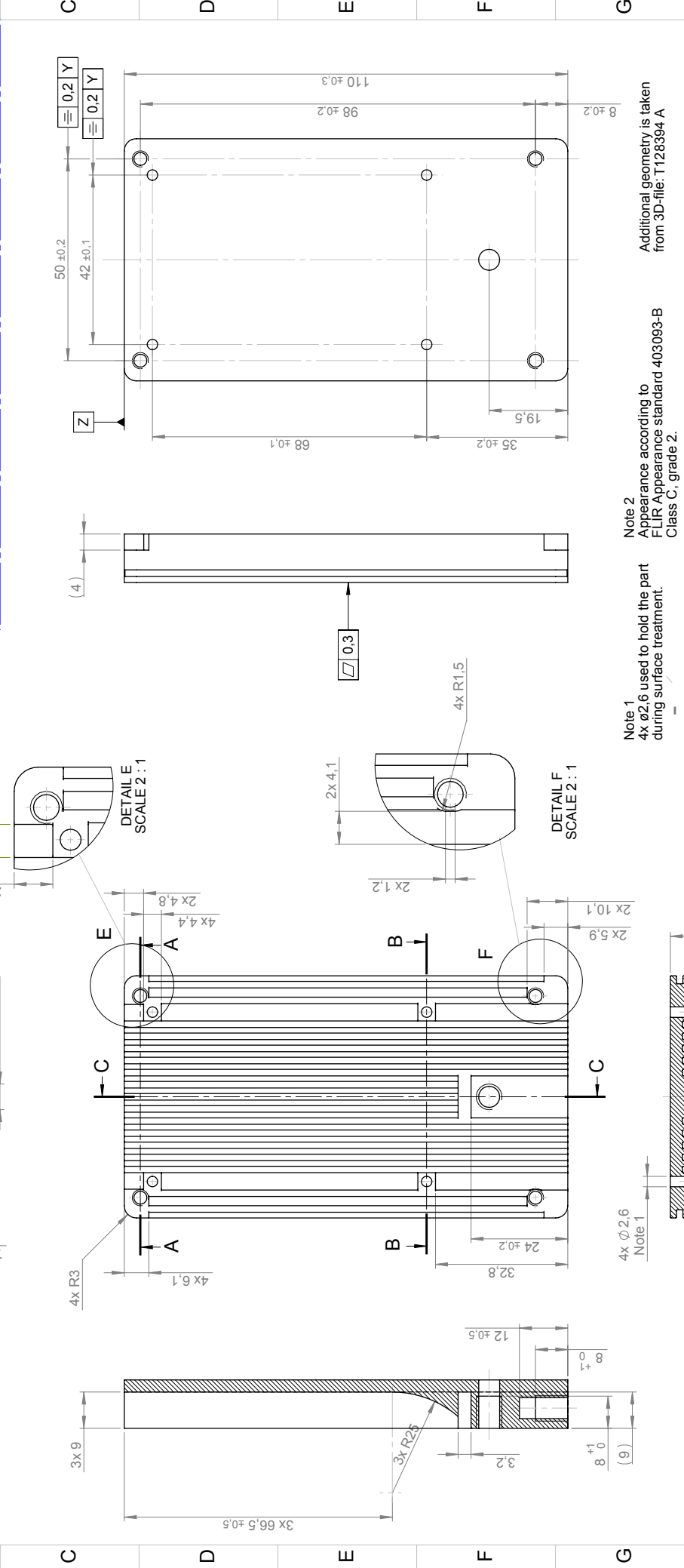
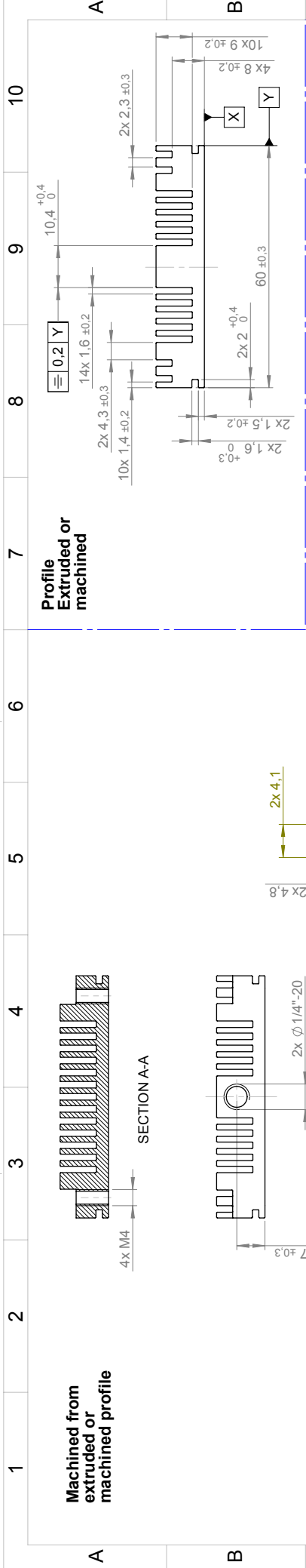
Compatible with the following products:

- 71201-0101; FLIR AX8 9 Hz



SECTION A-A

Konstr/Drawn J. MÄKINEN	Datum/Date 2015-03-06	Kontr/Check HAOS	Material EN AW-5052 or EN AW-5754	
Ändrad av/Modified by J. MÄKINEN	Ändrad/Modified 2015-05-21	Ytjämnhet/Roughness Ra µm	Ytbehandling/Surface treatment	
Där ej annat anges/Unless otherwise stated Gen tol ISO 2768-mK Utdrag ur/Excerpt from ISO 2768-m	Benämning/Denomination Plate mounting front		Skala/Scale 1:1	Blad/Sheet 1(1)
0,5-6 ±0,1 Hålkälsradier (6)-30 ±0,2 Fillet radii (30)-120 ±0,3 (120)-400 ±0,5 Kanter brutna (400)-1000 ±0,8 Edges broken			Art.No.	Size A4
			Ritn nr/Drawing No T128774	Rev A



Konsist/Drawn P. MARCUS		Datum/Date 2014-09-18	Kontr./Check JAMA	Material EN AW-6262 R
Ändrad av/Modified by P. MARCUS		Ändrad/Modified 2015-03-10	Ytfinish/Roughness Ra 3.2 µm	Ytbehandling/Surface treatment Anodized colorless matt
Där ej annat anges/Unless otherwise stated Gen. tol. ISO 2768-mK Utdrag ur/Excerpt from ISO 2768-m		Benämning/Denomination Bracket cooling		
0.5-6	+0.1	Hålkalibrer 0.1-0.3		
(6)-30	+0.2	Fillet radii		
(120)-400	+0.5	Kanter brutna		
(400)-1000	+0.8	Edges broken		

FLIR

Sheet/Scale
1(1)

Size
A3

Rev
A

Ritn nr/Drawing No.
T128394

Note 1
4x Ø2.6 used to hold the part during surface treatment.

Note 2
Appearance according to FLIR Appearance standard 403093-B Class C, grade 2.

Additional geometry is taken from 3D-file: T128394 A