

P/N: T199235

Copyright

© 2019, FLIR Systems, Inc.

All rights reserved worldwide. Names and marks appearing herein are either registered trademarks or trademarks of FLIR Systems and/or its subsidiaries. All other trademarks, trade names or company names referenced herein are used for identification only and are the property of their respective owners.

Document identity

Publ. No.: T199235
 Commit: 42932
 Language: en-US
 Modified: 2017-05-30
 Formatted: 2019-01-28

Website

<http://www.flir.com>


Customer support

<http://support.flir.com>

Disclaimer

Specifications subject to change without further notice. Camera models and accessories subject to regional market considerations. License procedures may apply. Products described herein may be subject to US Export Regulations. Please refer to exportquestions@flir.com with any questions.



General description	
The high-temperature lens is an add-on lens that suppresses 50% of the transmission in high-temperature applications.	
<div style="border: 1px solid black; padding: 5px;"> <p> NOTE</p> <ul style="list-style-type: none"> High-temperature applications may require a heat shield in front of the camera. The lens requires factory-calibration together with the camera. </div>	
Imaging and optical data	
Field of view (FOV)	25° × 19°
Minimum focus distance	0.4 m (1.31 ft.)
Focal length	18 mm (0.7 in.)
F-number	1.3
Measurement	
Object temperature range	200 to 1200°C (392 to 2192°F)
Physical data	
Weight	0.152 kg
Size (L × D)	27.6 × 47 mm (1.1 × 1.9 in.)
Shipping information	
Packaging, type	Cardboard box
List of contents	<ul style="list-style-type: none"> Lens Lens case Instruction
Packaging, weight	0.28 kg (0.61 lb.)
Packaging, size	170 × 135 × 135 mm (6.7 × 5.3 × 5.3 in.)



High-temperature lens

P/N: T199235

© 2019, FLIR Systems, Inc.

#T199235; r. 42932; en-US

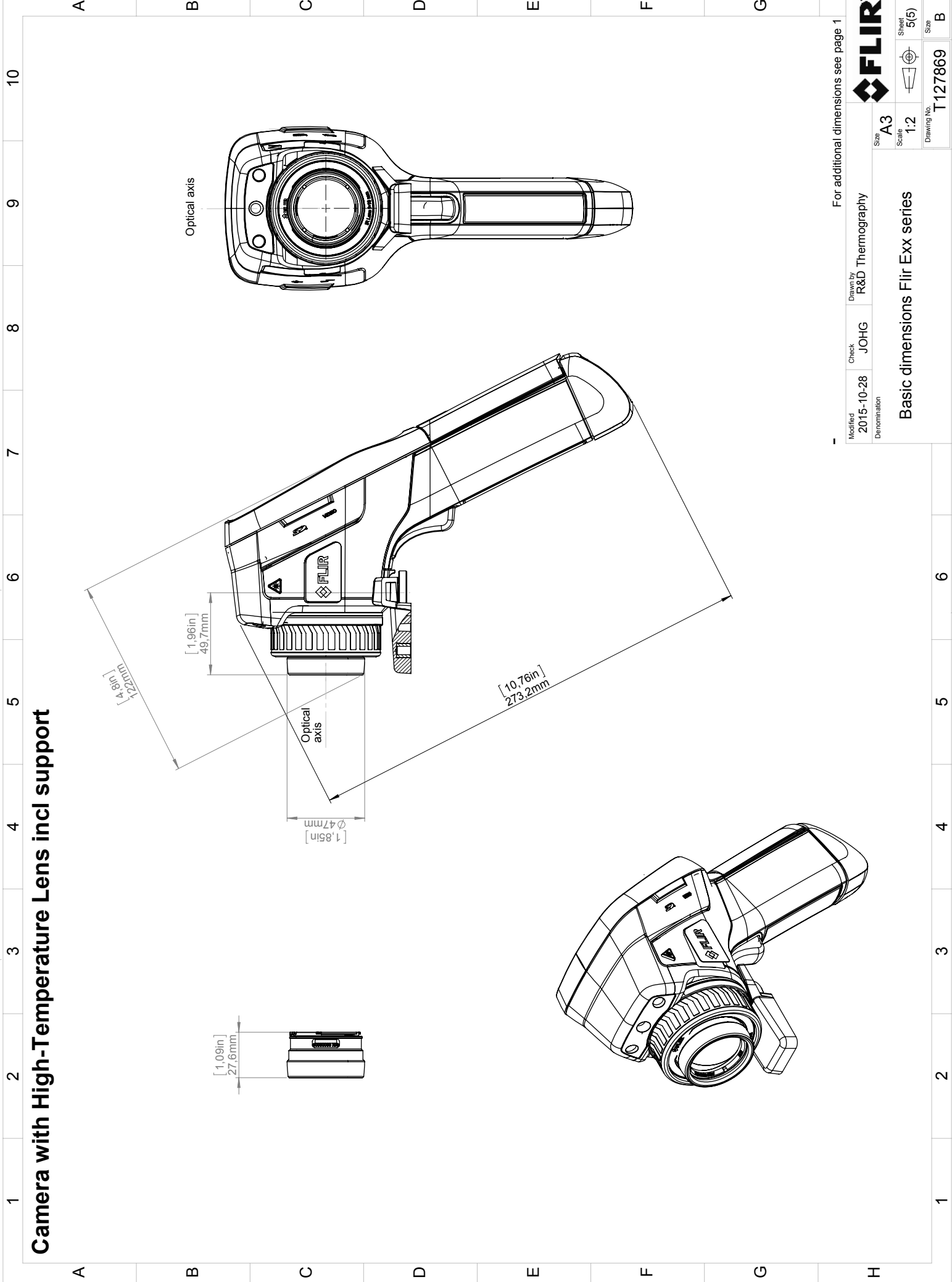
Shipping information	
EAN-13	4743254002289
UPC-12	845188012007
Country of origin	Estonia

Compatible with the following products:

- N/A

Camera with High-Temperature Lens incl support

© 2012, FLIR Systems, Inc. All rights reserved worldwide. No part of this drawing may be reproduced, stored in a retrieval system, or transmitted in any form, or by any means, electronic, mechanical, photocopying, recording, or otherwise, without written permission from FLIR Systems, Inc. Specifications subject to change without further notice. Dimensional data is based on nominal values. Products may be subject to regional market considerations. License procedures may apply. Product may be subject to US Export Regulations. Please refer to exportquestions@flir.com with any questions. Diversion contrary to US law is prohibited.



For additional dimensions see page 1

Modified	Check	Drawn by	FLIR
2015-10-28	JOHG	R&D Thermography	
Denomination			Size
Basic dimensions Flir Exx series			A3
			Scale
			1:2
			Sheet
			5(5)
			Size
			B
			Drawing No.
			T127869