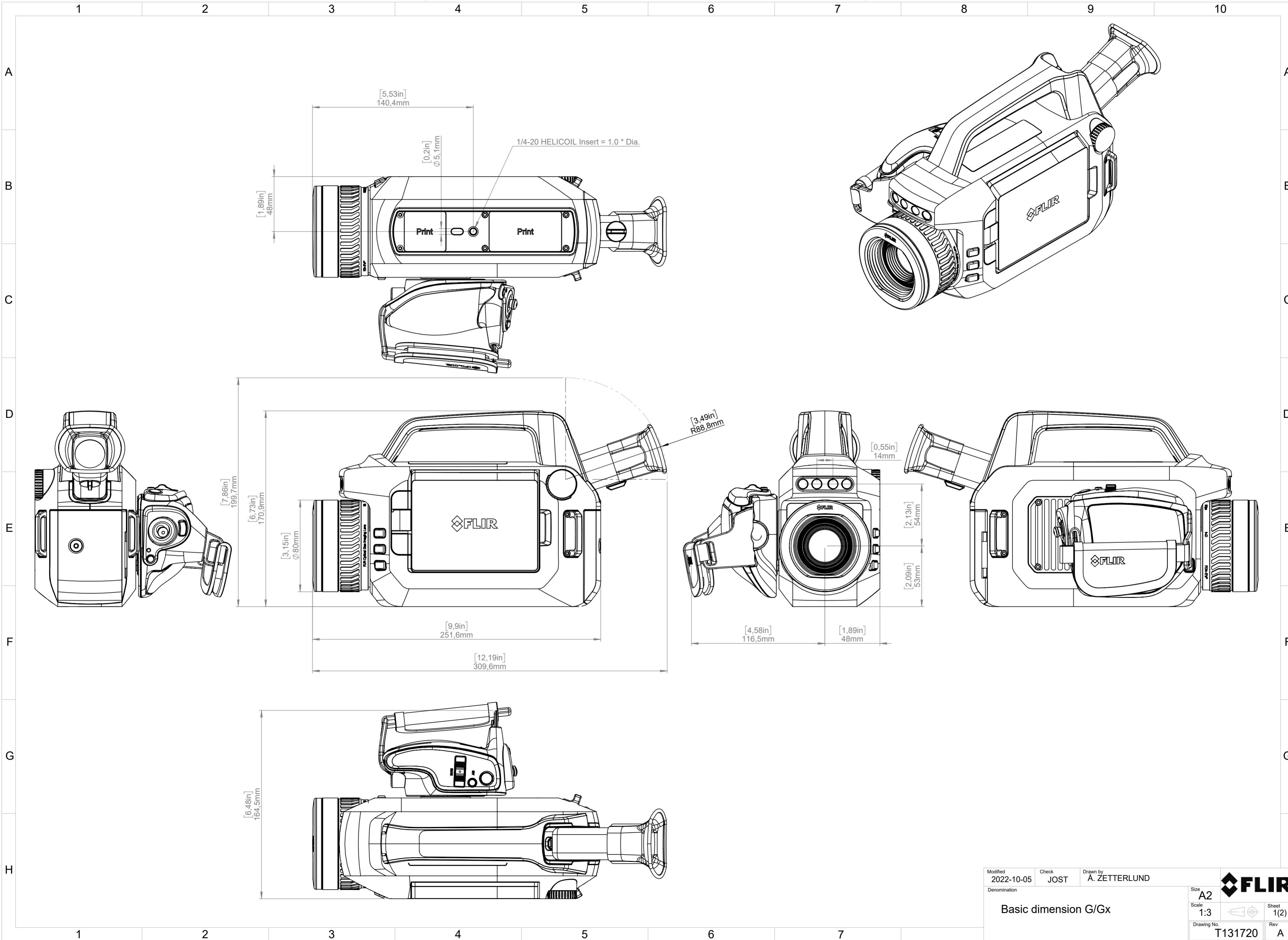


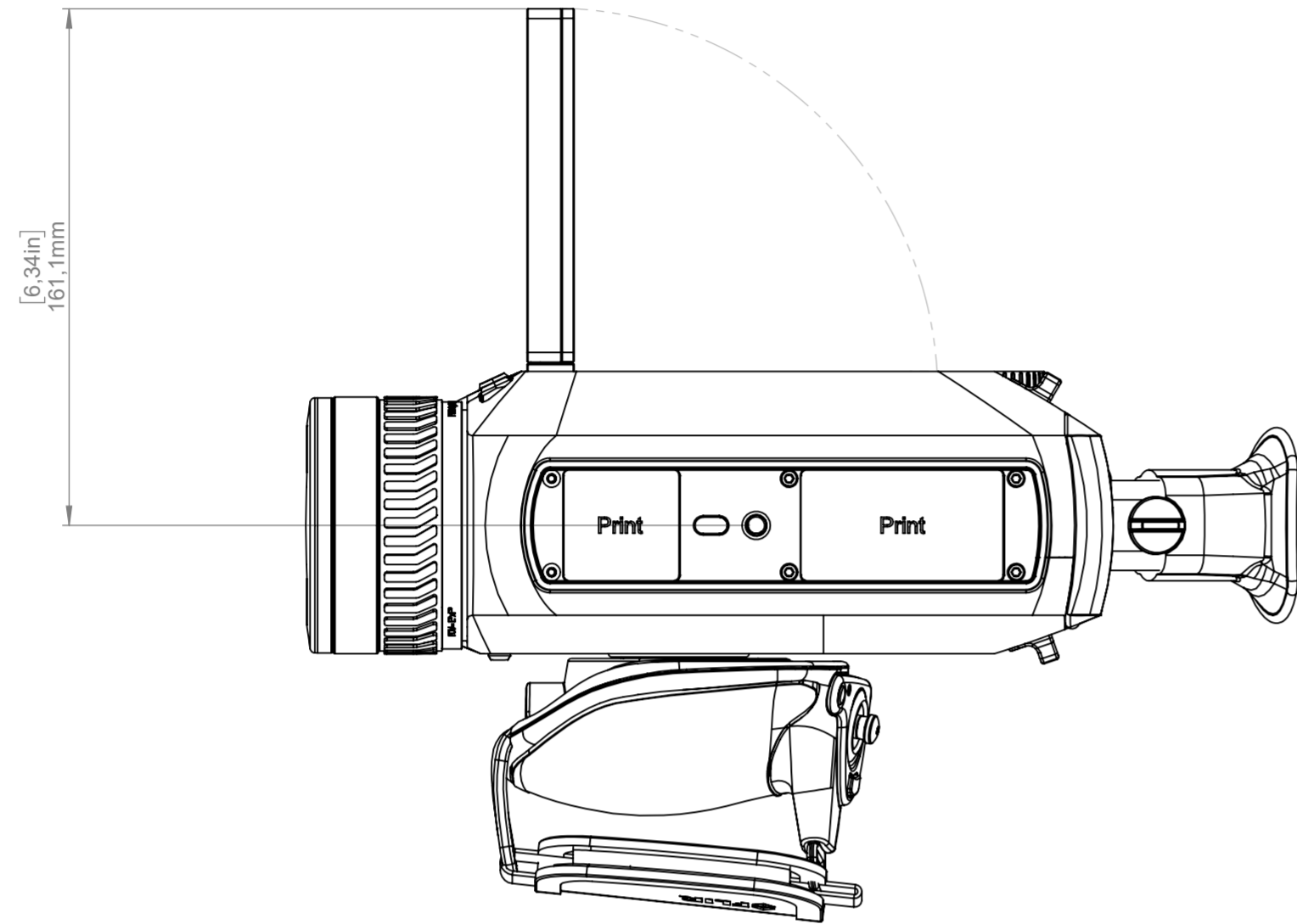
© 2016 FLIR Systems, Inc. All rights reserved worldwide. No part of this drawing may be reproduced, stored in a retrieval system, or transmitted in any form, or by any means, electronic, mechanical, photocopying, recording, or otherwise, without the prior written permission of FLIR Systems, Inc. Specifications are subject to change without notice. Dimensions are based on nominal values. Products may be subject to regional market considerations. License procedures may apply. Product may be subject to US Export Regulations. Please refer to exportquestions@flir.com with any questions. Diversion contrary to US law is prohibited.



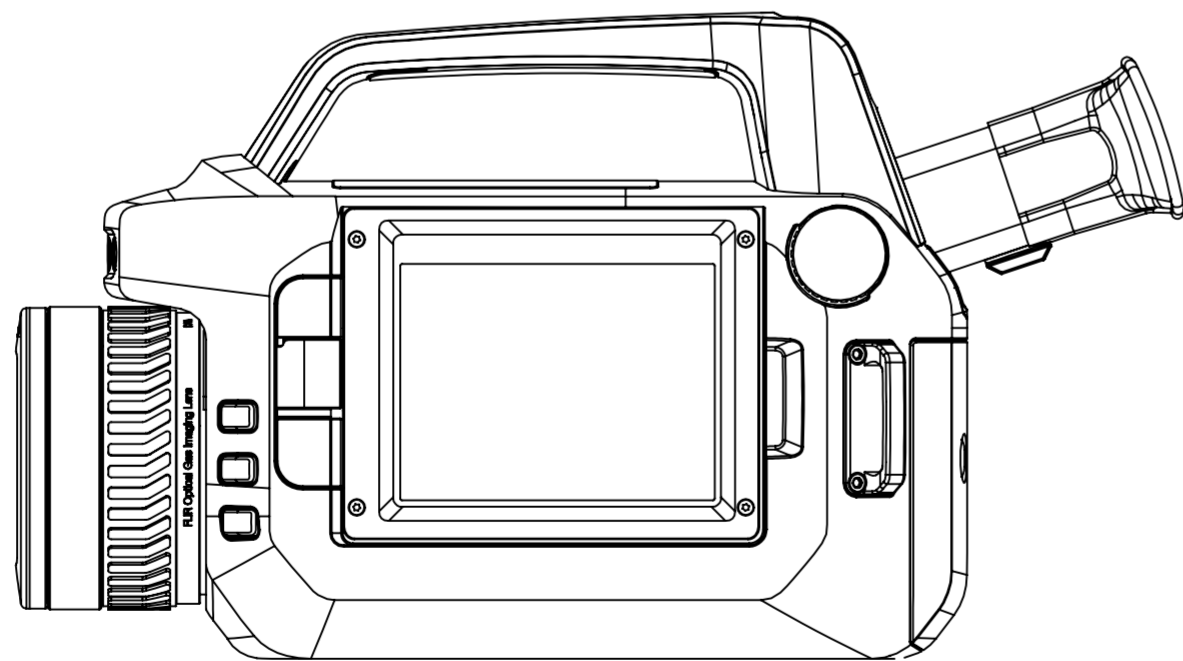
Modified 2022-10-05	Check JOST	Drawn by A. ZETTERLUND	
Denomination			
Basic dimension G/Gx			Size A2 Scale 1:3 Drawing No. T131720
			Sheet 1(2) Rev A

© 2016 FLIR Systems, Inc. All rights reserved worldwide. No part of this drawing may be reproduced, stored in a retrieval system, or transmitted in any form, or by any means, electronic, mechanical, photocopying, recording, or otherwise, without the prior written permission of FLIR Systems, Inc. Specifications subject to change without notice. Dimensions are based on nominal values. Products may be subject to regional market considerations. License procedures may apply. Product may be subject to US Export Regulations. Please refer to exportquestions@flir.com with any questions. Diversion contrary to US law is prohibited.

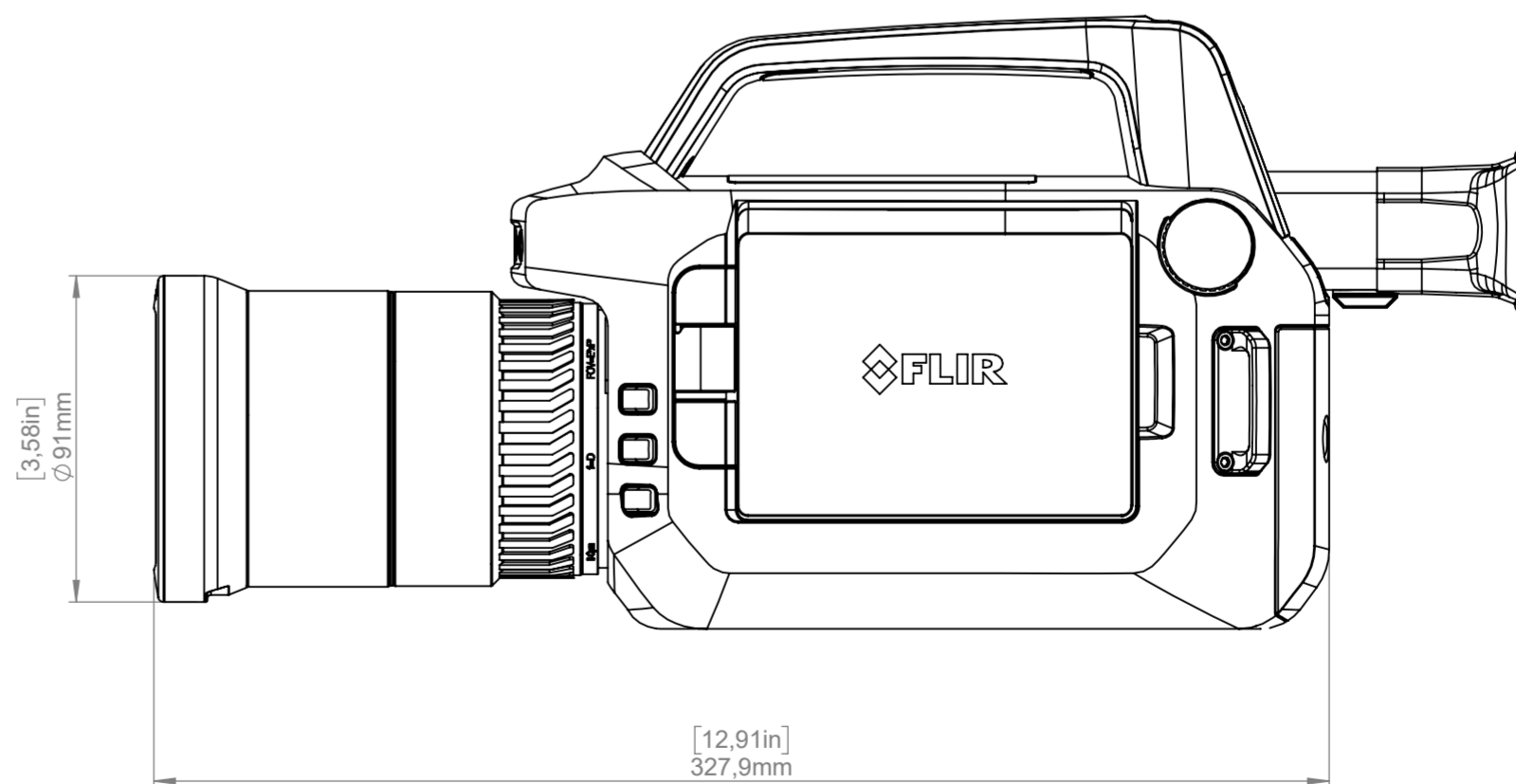
Fully opened display



Closed with rotated display



With IR Lens 6°



Modified 2022-10-05	Check JUST	Drawn by A. ZETTERLUND	
Size A2 Scale 1:2 Denomination Basic dimension G/Gx			
Drawing No. T131720			