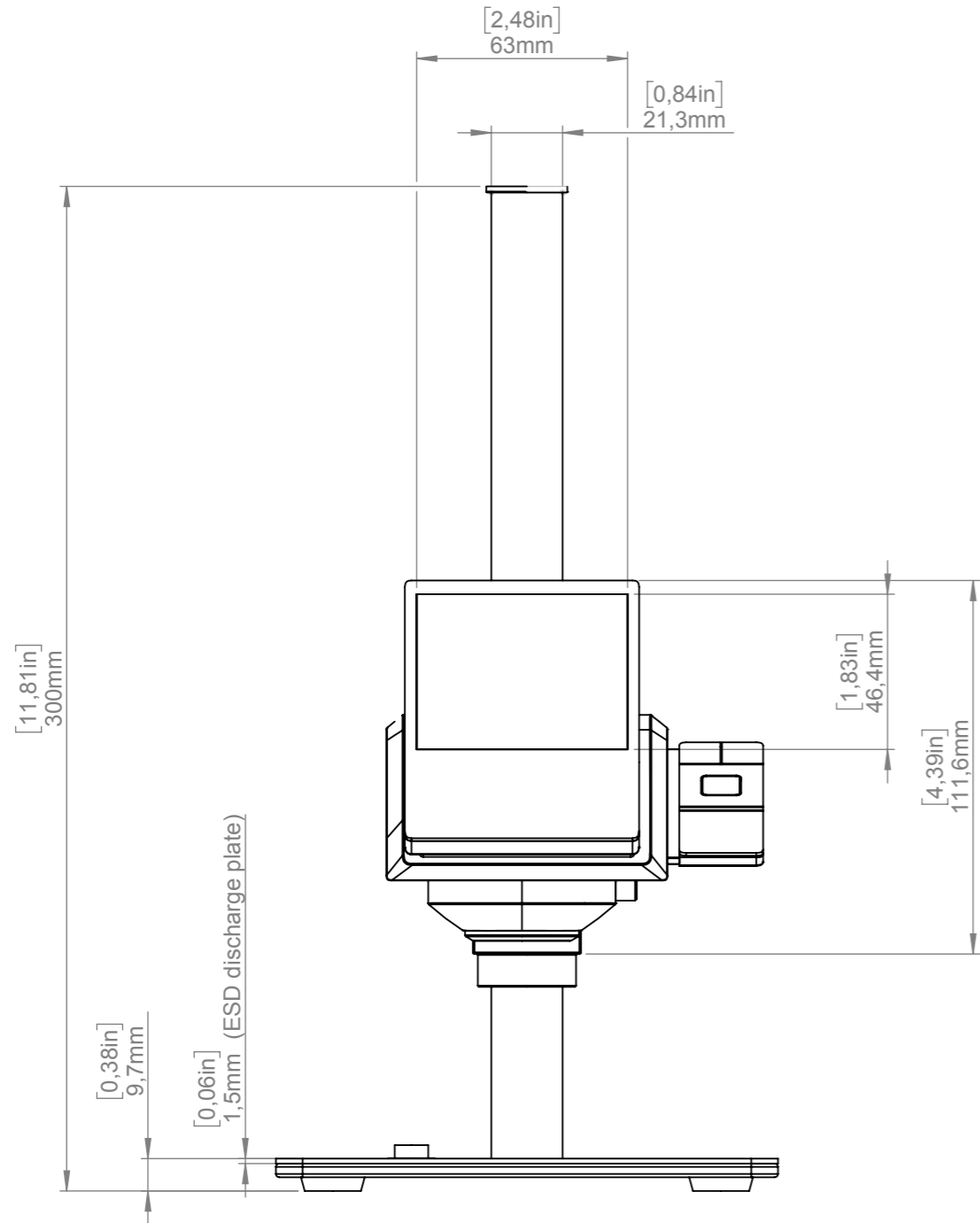
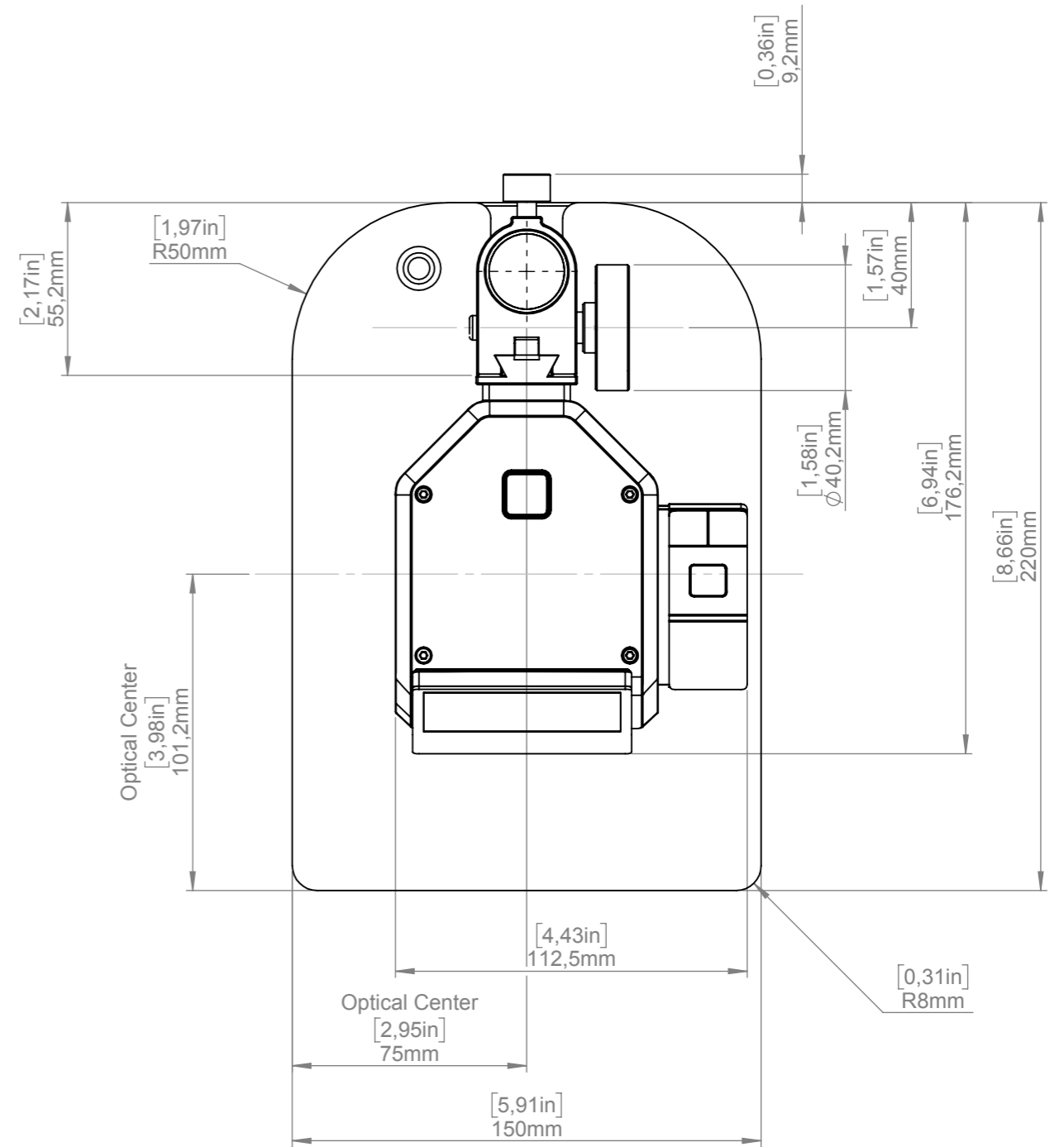


© 2016 FLIR Systems, Inc. All rights reserved worldwide. No part of this drawing may be reproduced, stored in a retrieval system, or transmitted in any form, or by any means, electronic, mechanical, photocopying, recording, or otherwise without written permission from FLIR Systems, Inc. Specifications subject to change without further notice. Dimensional data is based on nominal values. Products may be subject to regional market considerations. License procedures may apply. Product may be subject to US Export Regulations. Please refer to exportquestions@flir.com with any questions. Diversion contrary to US law is prohibited.

Front View

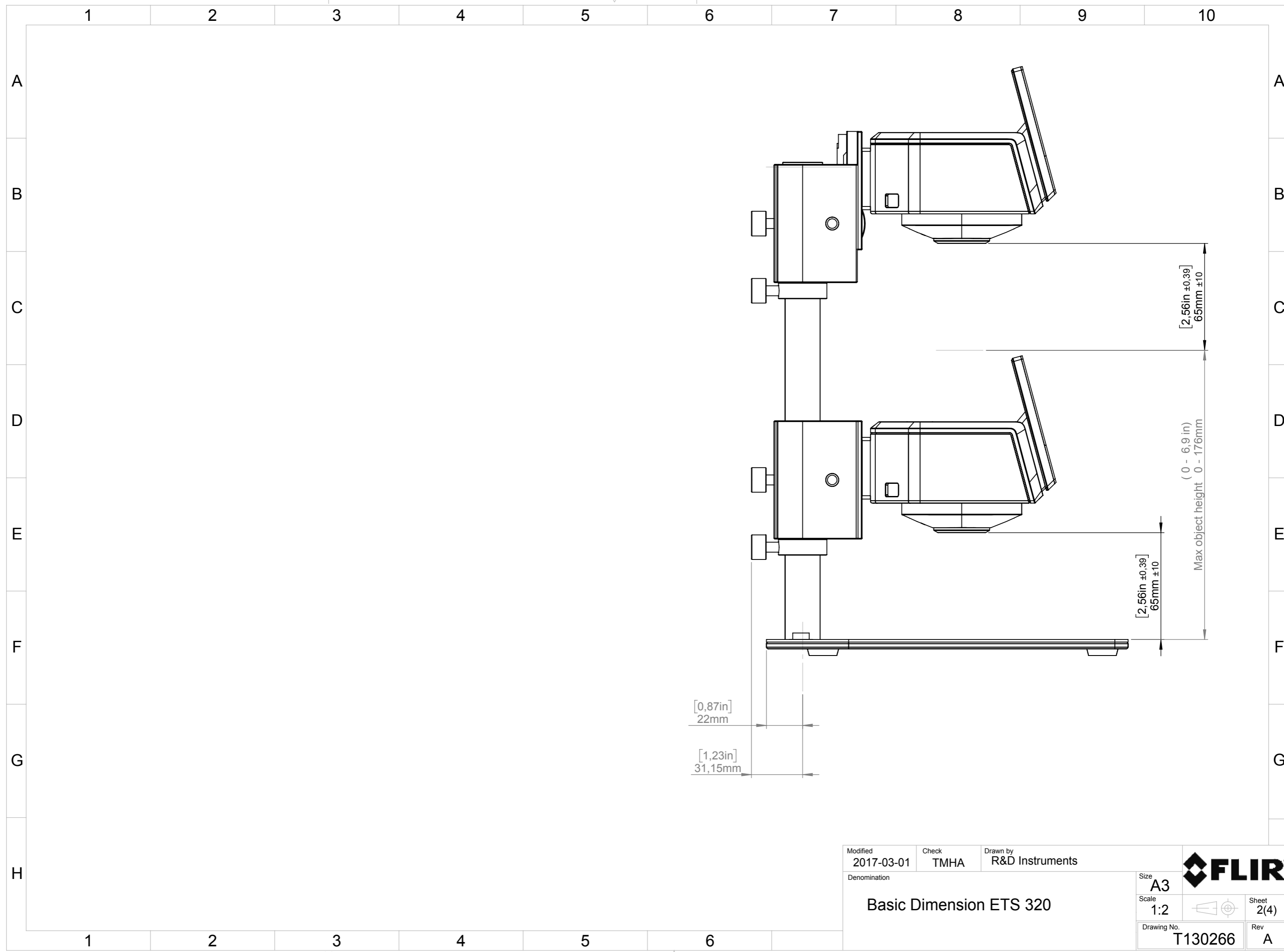


Top View



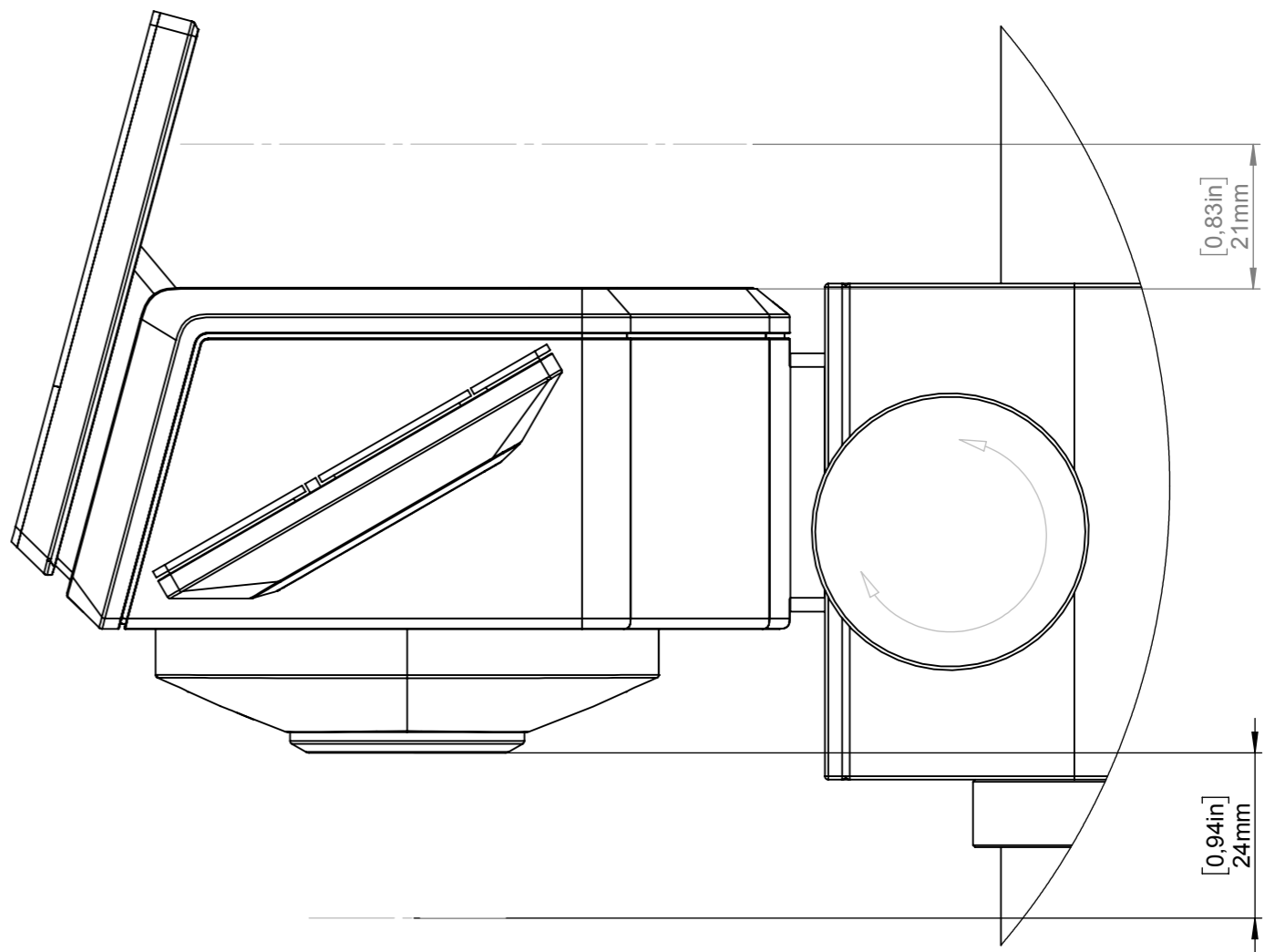
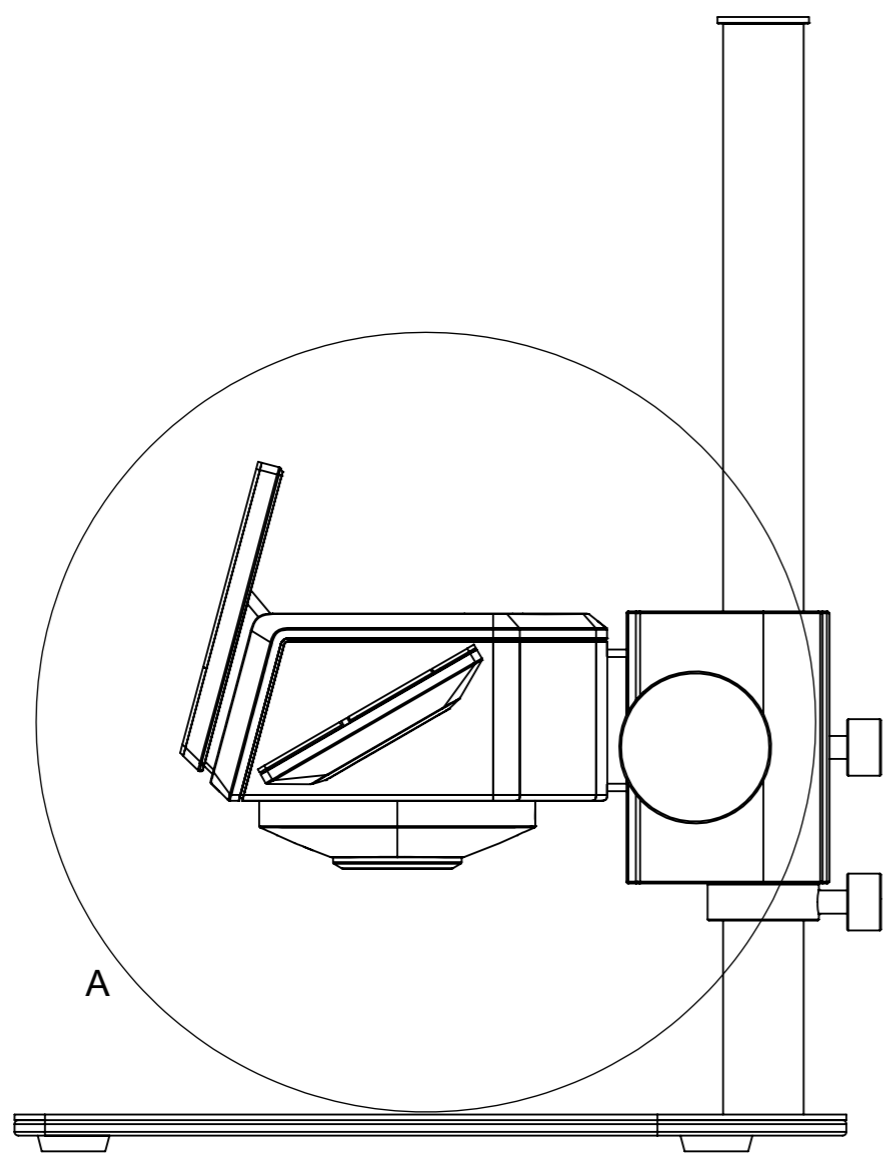
Modified 2017-03-01	Check TMHA	Drawn by R&D Instruments	
Denomination Basic Dimension ETS 320			
			Sheet 1(4) Rev A

© 2016 FLIR Systems, Inc. All rights reserved worldwide. No part of this drawing may be reproduced, stored in a retrieval system, or transmitted in any form, or by any means, electronic, mechanical, photocopying, recording, or otherwise without written permission from FLIR Systems, Inc. Specifications subject to change without further notice. Dimensional data is based on nominal values. Products may be subject to regional market considerations. License procedures may apply. Product may be subject to US Export Regulations. Please refer to exportquestions@flir.com with any questions. Diversion contrary to US law is prohibited.



Modified 2017-03-01	Check TMHA	Drawn by R&D Instruments	
Denomination Basic Dimension ETS 320			
Size A3	Scale 1:2	Sheet 2(4)	
Drawing No. T130266	Rev A		

© 2016 FLIR Systems, Inc. All rights reserved worldwide. No part of this drawing may be reproduced, stored in a retrieval system, or transmitted in any form, or by any means, electronic, mechanical, photocopying, recording, or otherwise without written permission from FLIR Systems, Inc. Specifications subject to change without further notice. Dimensional data is based on nominal values. Products may be subject to regional market considerations. License procedures may apply. Product may be subject to US Export Regulations. Please refer to exportquestions@flir.com with any questions. Diversion contrary to US law is prohibited.

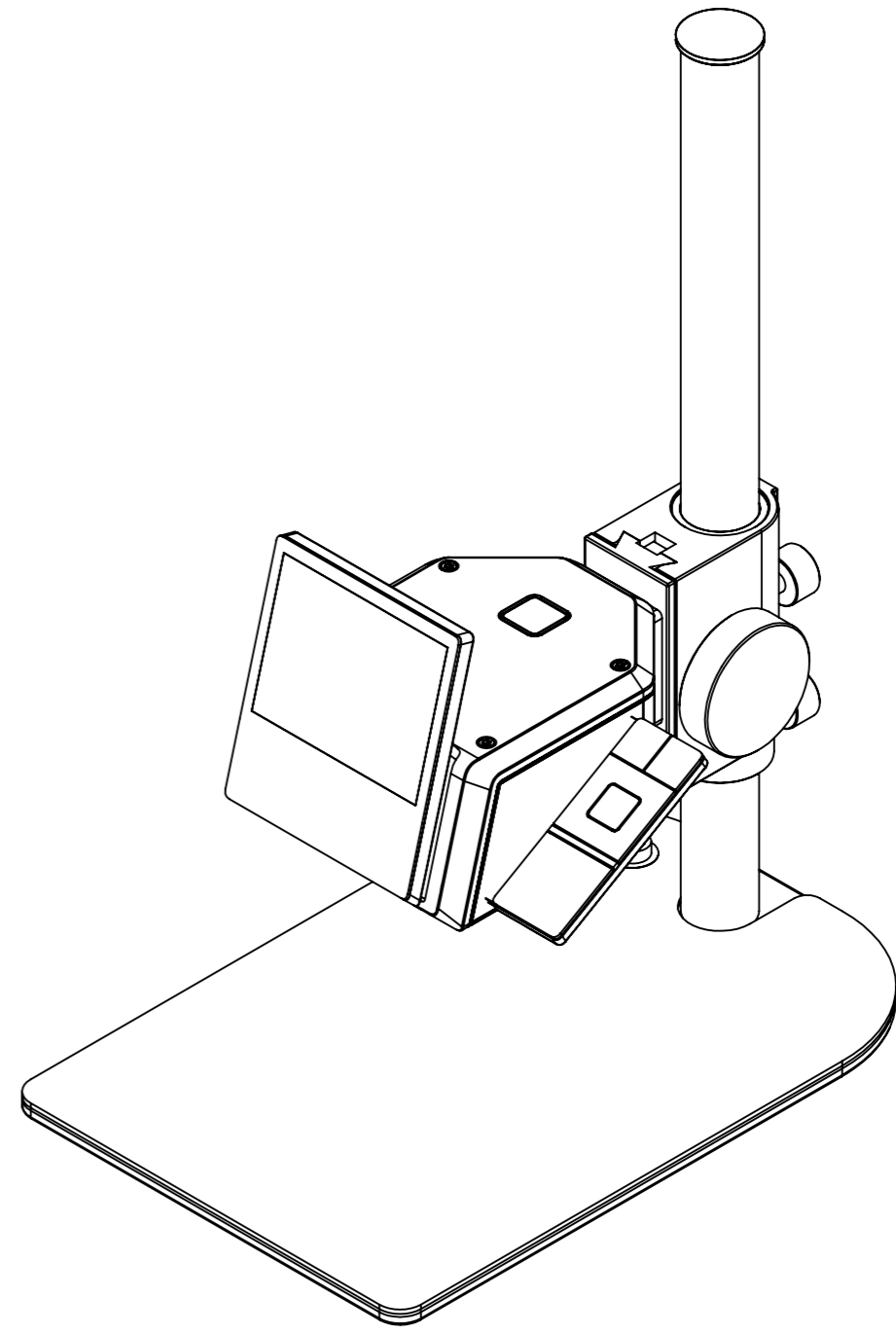


DETAIL A
SCALE 1 : 1

Total adjustment length (locked): 45mm (1.77 in)

Modified 2017-03-01	Check TMHA	Drawn by R&D Instruments	
Denomination Basic Dimension ETS 320			
			Sheet 3(4) Rev A

© 2016 FLIR Systems, Inc. All rights reserved worldwide. No part of this drawing may be reproduced, stored in a retrieval system, or transmitted in any form, or by any means, electronic, mechanical, photocopying, recording, or otherwise without written permission from FLIR Systems, Inc. Specifications subject to change without further notice. Dimensional data is based on nominal values. Products may be subject to regional market considerations. License procedures may apply. Product may be subject to US Export Regulations. Please refer to exportquestions@flir.com with any questions. Diversion contrary to US law is prohibited.



Modified 2017-03-01	Check TMHA	Drawn by R&D Instruments			
Denomination Basic Dimension ETS 320				Size A3	
			Scale 1:2		Sheet 4(4)
			Drawing No. T130266	Rev A	